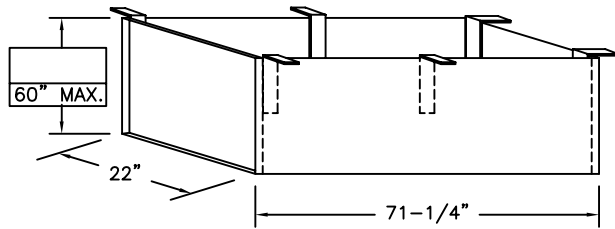


# SUPER SIMPLEX DISAPPEARING STAIRWAY WITH DEEP BOX FRAME

(USE THIS DRAWING FOR CEILING HEIGHTS FROM 12'-1" TO 13'-6")

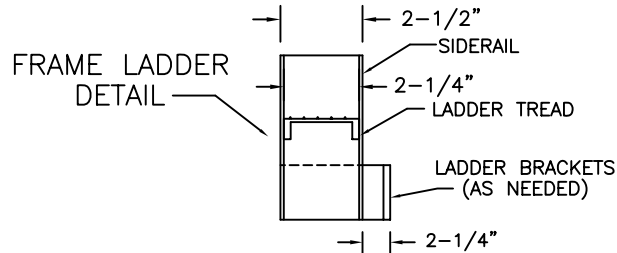
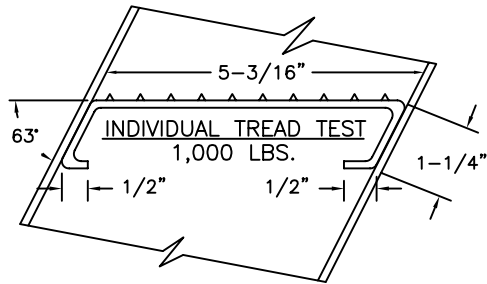
ONE INCH FLANGE  
ALL AROUND  
TOP & BOTTOM



22-1/2" x 72" ROUGH OPENING  
IN CEILING (AND FLOOR ABOVE)

## SPECIAL DEEP BOX FRAME

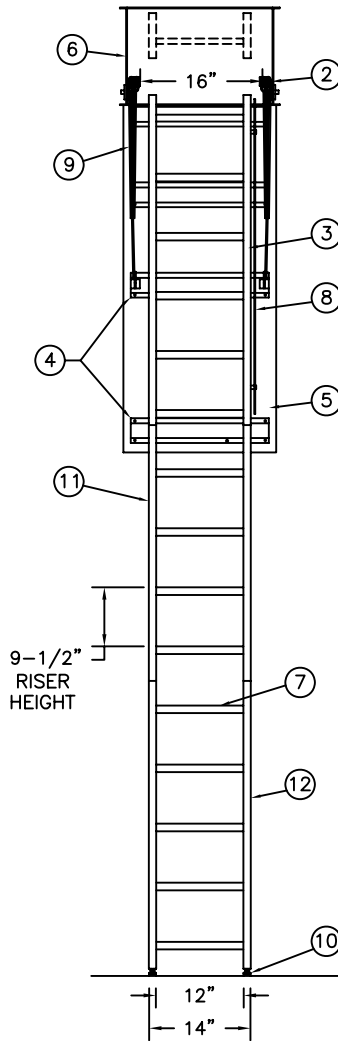
1/8" STEEL, TO CONTAIN ALUMINUM SUPER SIMPLEX FOLDING STAIRWAY CUT FOR EXACT FINISHED CEILING HEIGHT. THIS FRAME, WITH FACTORY INSTALLED BUILT-IN TREADS, PROVIDES STEPS FROM THE DROPPED-CEILING LINE TO THE UPPER FLOOR.



## NOTES

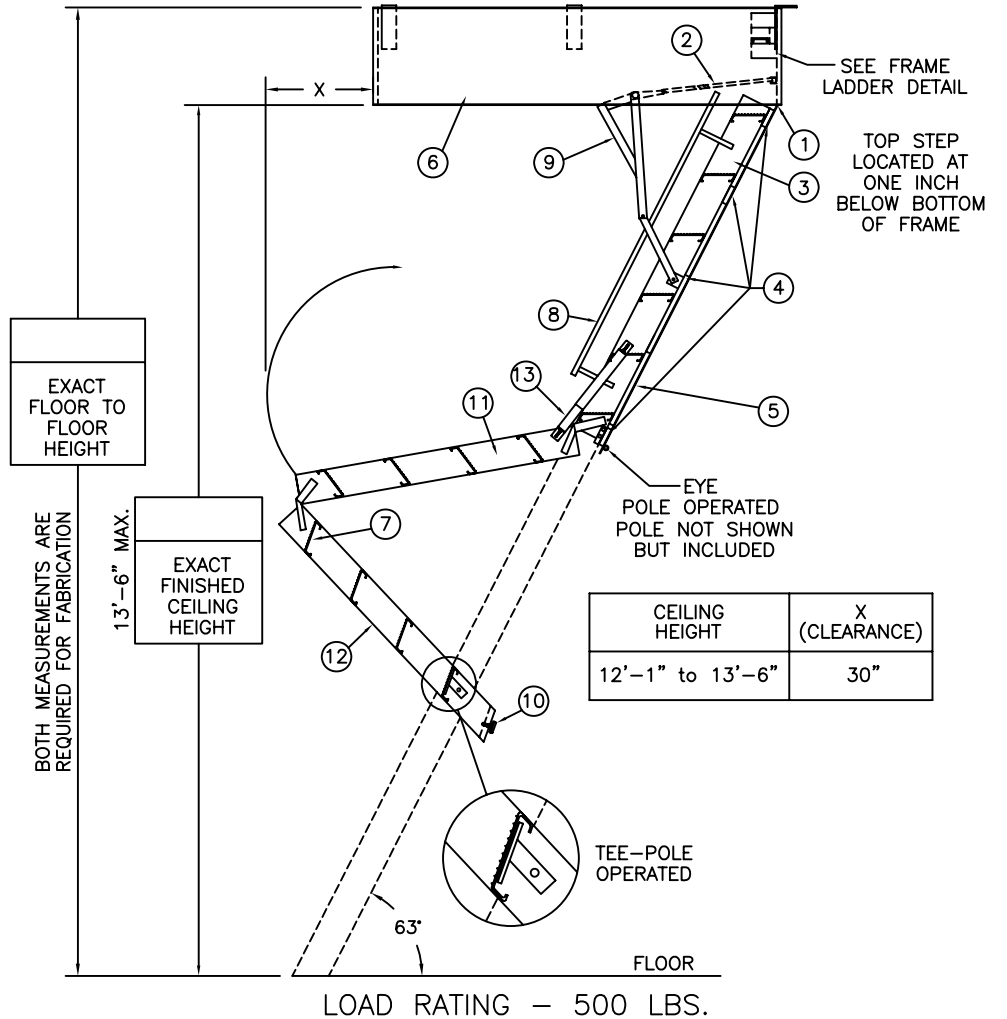
DIMENSIONS ON THIS DRAWING PERTAIN ONLY TO CEILING HEIGHTS OVER 12'-0".  
MANUFACTURER RECOMMENDS 2 PEOPLE TO OPEN/CLOSE SHIPS COMPLETELY ASSEMBLED AS ONE UNIT

\*\*\* FIRE RATED UNITS \*\*\*  
BEST IF UNIT IS INSTALLED BEFORE CEILING



## OPTIONS

- 2 HOUR FIRE RATED ASSEMBLY
- LOCK ON DOOR PANEL



CEILING HEIGHT	X (CLEARANCE)
12'-1" to 13'-6"	30"

## LADDER LEGEND

- 1. STEEL PIANO DOOR HINGE
- 2. DOUBLE SPRING ACTION
- 3. SIDE RUNNER 5" ALUM.
- 4. BATTEN 1/8" ALUM.
- 5. DOOR PANEL 1/8" ALUM.
- 6. STEEL BOX FRAME
- 7. TREAD (SERRATED ALUM.)
- 8. HANDRAIL BOTH SIDES
- 9. EXTRA HEAVY OPERATING ARM
- 10. ADJUSTABLE FOOT
- 11. MIDDLE SECTION
- 12. BOTTOM SECTION
- 13. FOLD-ASSIST

NOT TO SCALE

S2162-BD-22.5

**Precision Ladders, LLC**  
P.O. BOX 2279 Morristown, TN 37816-2279  
Ph: (423) 586-2265 Fax: (423) 586-2091  
www.PrecisionLadders.com

WORK ORDER ( )	DWG. CHECK	ARCH'T OR ENG'R.	PROJECT		PRECISION REP
	BUILT BY:	PURCHASE ORDER	WORK ORDER	PURCHASER	SERIAL#
	CHECKED BY:	DRAWN BY: DNH	DATE 11/18/15	MODEL# S2	QTY.