

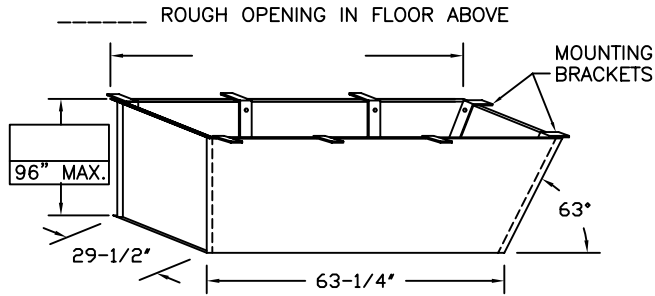
SUPER SIMPLEX DISAPPEARING STAIRWAY WITH DEEP ANGLE FRAME

(USE THIS DRAWING FOR CEILING HEIGHTS BETWEEN 9'-10" TO 12'-0")

ONE INCH FLANGE
ALL AROUND
TOP & BOTTOM

*** FIRE RATED UNITS ***
BEST IF UNIT IS INSTALLED BEFORE CEILING

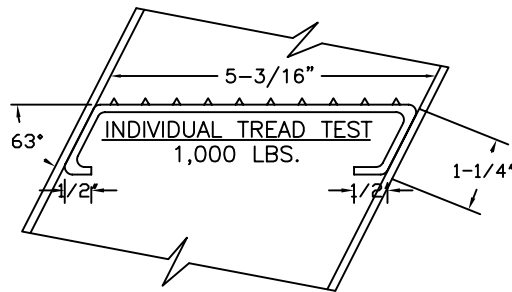
TOP STEP
LOCATED AT
ONE INCH
BELOW BOTTOM
OF FRAME



30" x 64" REQUIRED
ROUGH OPENING IN CEILING

SPECIAL DEEP FRAME

1/8" STEEL, 63 DEGREE ANGLE ONE END, 90 DEGREE OTHER END, TO CONTAIN SUPER SIMPLEX FOLDING STAIRWAY CUT FOR EXACT FINISHED CEILING HEIGHT. THIS FRAME, WITH FACTORY INSTALLED BUILT-IN TREADS, PROVIDES STEPS FROM THE DROPPED-CEILING LINE TO THE UPPER FLOOR.



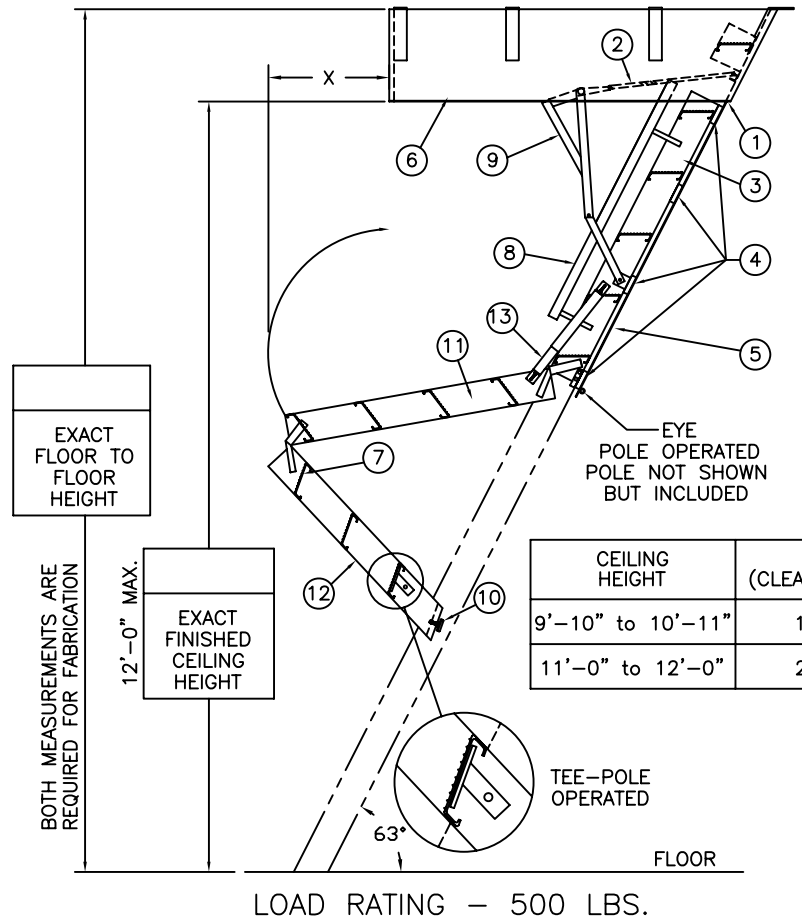
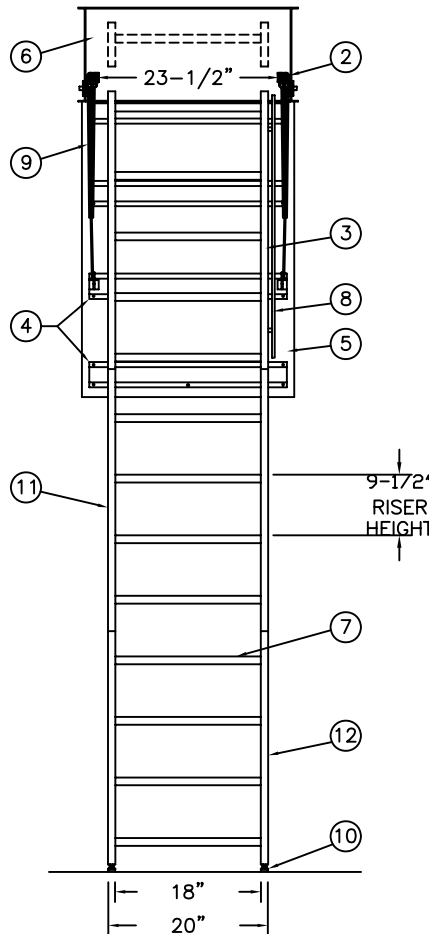
NOTES

ROUGH OPENING WIDTHS FROM 22-1/2" MIN. TO 39" MAX., 30" IS STANDARD. CLEAR TREAD WIDTH WILL VARY ACCORDING TO FRAME WIDTH.

DIMENSIONS ON THIS DRAWING PERTAIN ONLY TO CEILING HEIGHTS OVER 9'-9".

MANUFACTURER RECOMMENDS THAT 2 PEOPLE OPEN/CLOSE UNITS INSTALLED IN CEILINGS 11' & OVER.

SHIPS COMPLETELY ASSEMBLED AS ONE UNIT



CEILING HEIGHT	X (CLEARANCE)
9'-10" to 10'-11"	18"
11'-0" to 12'-0"	26"

OPTIONS

- 2 HOUR FIRE RATED ASSEMBLY
- LOCK ON DOOR PANEL

LADDER LEGEND

- 1. STEEL PIANO DOOR HINGE
- 2. DOUBLE SPRING ACTION
- 3. SIDE RUNNER 5" ALUM.
- 4. BATTEN 1/8" ALUM.
- 5. DOOR PANEL 1/8" ALUM.
- 6. STEEL ANGLE FRAME
- 7. TREAD (SERRATED ALUM.)
- 8. HANDRAIL RIGHT SIDE ONLY
- 9. EXTRA HEAVY OPERATING ARM
- 10. ADJUSTABLE FOOT
- 11. MIDDLE SECTION
- 12. BOTTOM SECTION
- 13. FOLD-ASSIST

S1144-A-30

Precision Ladders, LLC
P.O. BOX 2279 Morristown, TN 37816-2279
Ph: (423) 586-2265 Fax: (423) 586-2091
www.PrecisionLadders.com

WORK ORDER: ()	DWG. CHECK	ARCH'T OR ENG'R.	PROJECT		PRECISION REP
	BUILT BY:	PURCHASE ORDER	WORK ORDER	PURCHASER	SERIAL#
	CHECKED BY:	DRAWN BY: DNH	DATE: 11/18/15	MODEL#: S1	QTY.