

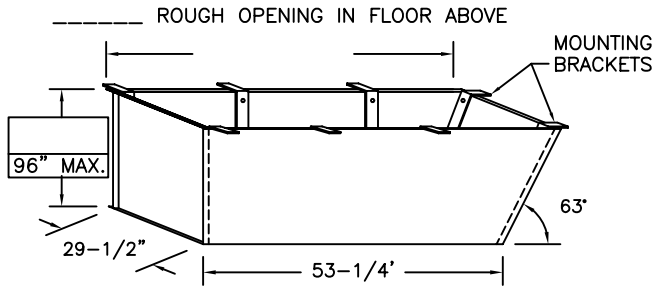
SUPER SIMPLEX WITH DEEP ANGLE FRAME FOR DROPPED CEILING

ONE INCH FLANGE
ALL AROUND
TOP & BOTTOM

(USE THIS DRAWING FOR CEILING HEIGHTS UP TO 9' 9")

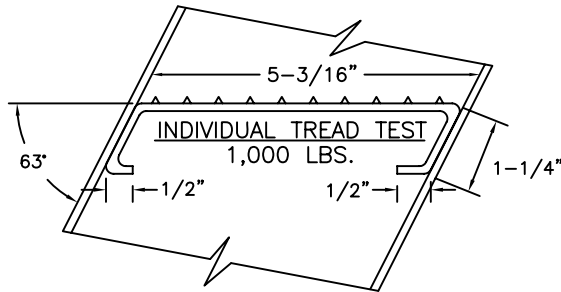
*** FIRE RATED UNITS ***
BEST IF UNIT IS INSTALLED BEFORE CEILING

TOP STEP
LOCATED AT
ONE INCH
BELOW BOTTOM
OF FRAME



30" x 54" REQUIRED
ROUGH OPENING IN CEILING
SPECIAL DEEP FRAME

1/8" STEEL, 63 DEGREE ANGLE ONE END, 90 DEGREE OTHER END, TO CONTAIN SUPER SIMPLEX FOLDING STAIRWAY CUT FOR EXACT FINISHED CEILING HEIGHT. THIS FRAME, WITH FACTORY INSTALLED BUILT-IN TREADS, PROVIDES STEPS FROM THE DROPPED-CEILING LINE TO THE UPPER FLOOR.

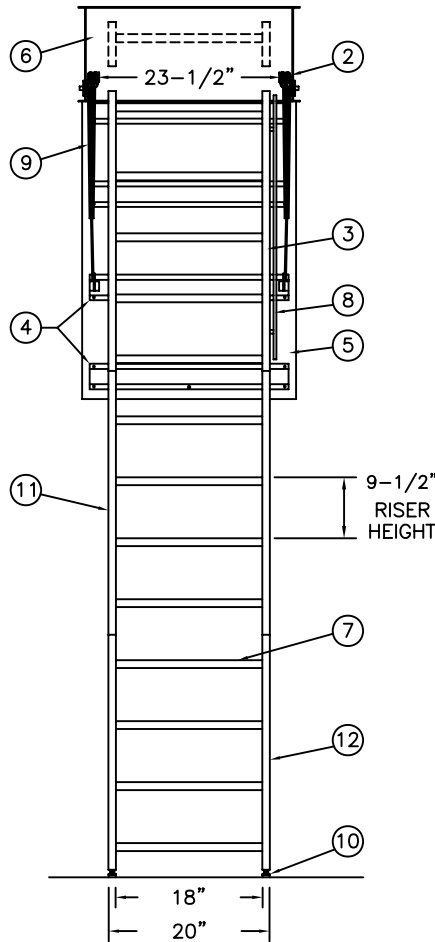


NOTES

ROUGH OPENING WIDTHS FROM 22-1/2" MIN. TO 39" MAX., 30" IS STANDARD. CLEAR TREAD WIDTH WILL VARY ACCORDING TO FRAME WIDTH.

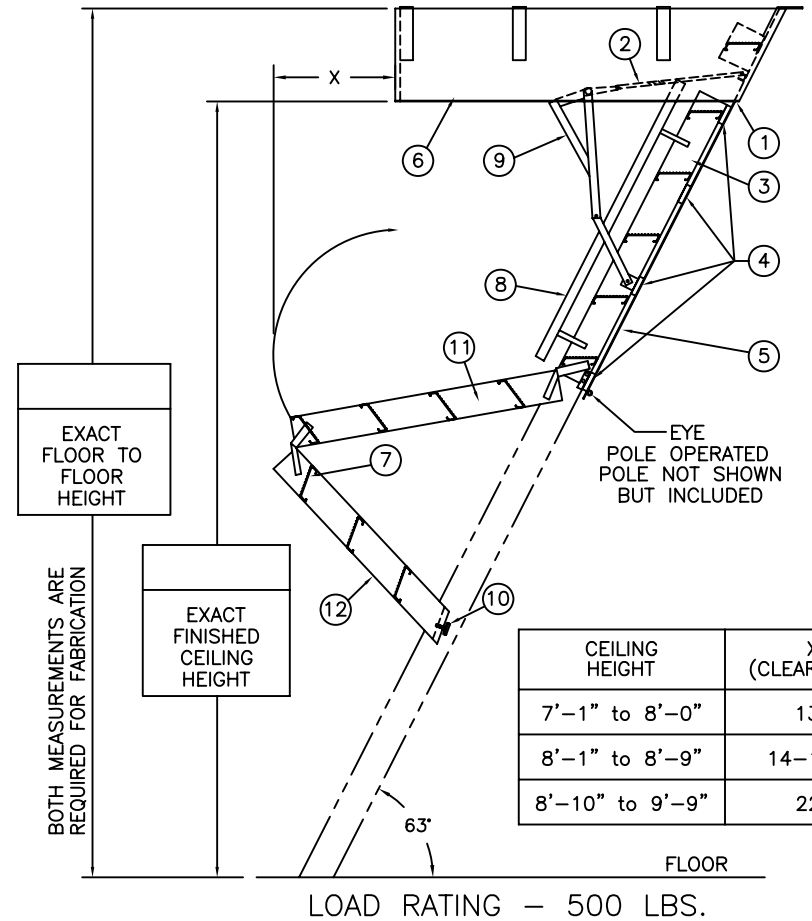
IF FLOOR ABOVE IS MORE THAN 12" ABOVE CEILING LINE, 63 DEGREE ANGLE FRAME IS RECOMMENDED.

DIMENSIONS ON THIS DRAWING PERTAIN ONLY TO CEILING HEIGHTS 9'-9" OR LESS.



OPTIONS

- 2 HOUR FIRE RATED ASSEMBLY
- LOCK ON DOOR PANEL
- FOLD ASSIST



BOTH MEASUREMENTS ARE
REQUIRED FOR FABRICATION

LOAD RATING - 500 LBS.

CEILING HEIGHT	X (CLEARANCE)
7'-1" to 8'-0"	13"
8'-1" to 8'-9"	14-1/2"
8'-10" to 9'-9"	22"

LADDER LEGEND

- 1. STEEL PIANO DOOR HINGE
- 2. DOUBLE SPRING ACTION
- 3. SIDE RUNNER 5" ALUM.
- 4. BATTEN 1/8" ALUM.
- 5. DOOR PANEL 1/8" ALUM.
- 6. STEEL ANGLE FRAME
- 7. TREAD (SERRATED ALUM.)
- 8. HANDRAIL RIGHT SIDE ONLY
- 9. EXTRA HEAVY OPERATING ARM
- 10. ADJUSTABLE FOOT
- 11. MIDDLE SECTION
- 12. BOTTOM SECTION

SCALE

S1117-A-30

Precision Ladders, LLC
P.O. BOX 2279 Morristown, TN 37816-2279
Ph: (423) 586-2265 Fax: (423) 586-2091
www.PrecisionLadders.com

WORK ORDER: ()

DWG. CHECK
BUILT BY:
CHECKED BY:

ARCH'T OR ENG'R.
PURCHASE ORDER
DRAWN BY:
DNH

PROJECT
REVISION
11/18/15
DATE
PURCHASER
MODEL#
S1
QTY.

PRECISION REP
SERIAL#