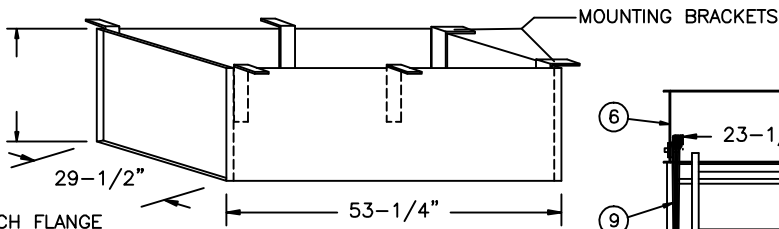


# SUPER SIMPLEX DISAPPEARING STAIRWAY WITH STANDARD BOX FRAME

(USE THIS DRAWING FOR CEILING HEIGHTS 9'-9" OR LESS)

TOP STEP  
LOCATED AT  
ONE INCH  
BELOW BOTTOM  
OF FRAME

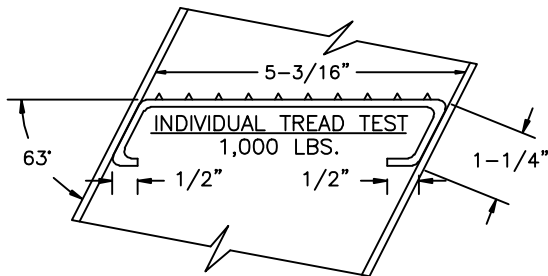
\*\*\* FIRE RATED UNITS \*\*\*  
BEST IF UNIT IS INSTALLED BEFORE CEILING



ONE INCH FLANGE  
ALL AROUND  
TOP & BOTTOM

30" x 54" REQUIRED  
ROUGH OPENING IN CEILING

STANDARD BOX FRAME  
FABRICATED FROM 1/8" STEEL  
THIS DRAWING ACCOMMODATES FRAME DEPTHS  
FROM 6" TO 11".



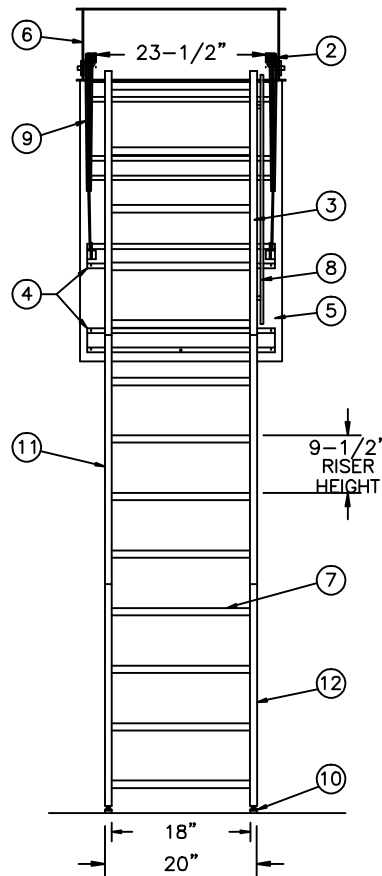
## NOTES

ROUGH OPENING WIDTHS FROM 22-1/2" MIN.  
TO 39" MAX., 30" IS STANDARD. CLEAR TREAD  
WIDTH WILL VARY ACCORDING TO FRAME WIDTH.

IF FLOOR ABOVE IS MORE THAN 12" ABOVE CEILING LINE,  
63 DEGREE ANGLE FRAME IS RECOMMENDED.

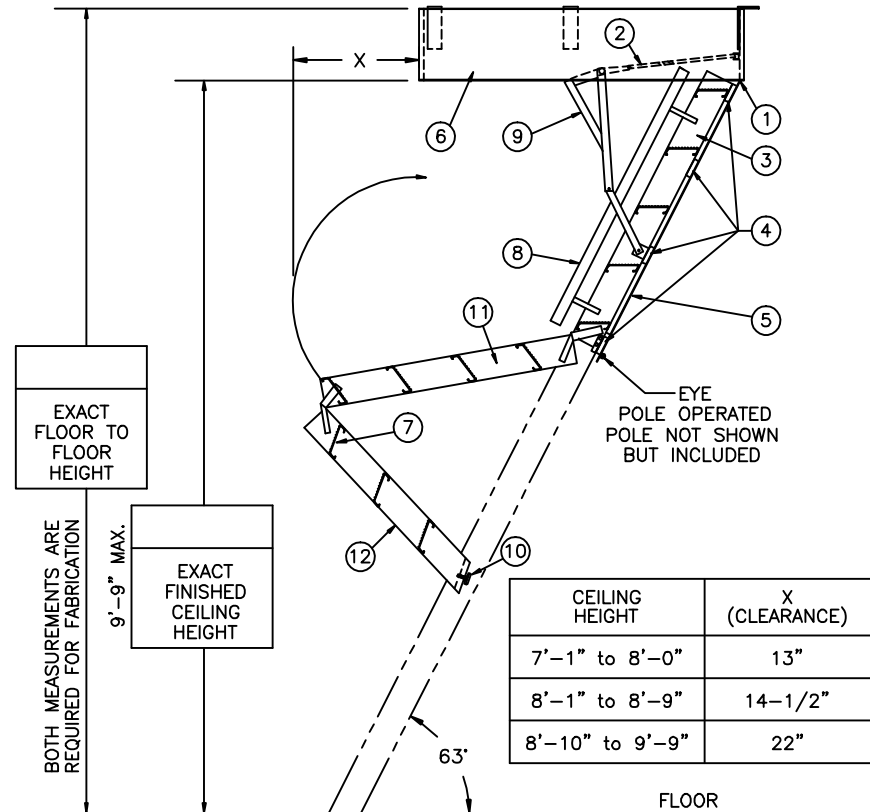
DIMENSIONS ON THIS DRAWING PERTAIN ONLY TO CEILING  
HEIGHTS 9'-9" OR LESS AND LESS THAN A 12" FRAME.

SHIPS COMPLETELY ASSEMBLED AS ONE UNIT.



## OPTIONS

- 2 HOUR FIRE RATED ASSEMBLY
- LOCK ON DOOR PANEL
- FOLD ASSIST



BOTH MEASUREMENTS ARE  
REQUIRED FOR FABRICATION  
9'-9" MAX.

CEILING HEIGHT	X (CLEARANCE)
7'-1" to 8'-0"	13"
8'-1" to 8'-9"	14-1/2"
8'-10" to 9'-9"	22"

LOAD RATING - 500 LBS.

## LADDER LEGEND

- 1. STEEL PIANO DOOR HINGE
- 2. DOUBLE SPRING ACTION
- 3. SIDE RUNNER 5" ALUM.
- 4. BATTEN 1/8" ALUM.
- 5. DOOR PANEL 1/8" ALUM.
- 6. STEEL BOX FRAME
- 7. TREAD (SERRATED ALUM.)
- 8. HANDRAIL RIGHT SIDE ONLY
- 9. EXTRA HEAVY OPERATING ARM
- 10. ADJUSTABLE FOOT
- 11. MIDDLE SECTION
- 12. BOTTOM SECTION

NOT TO SCALE

S1117-B-30

<p>Precision Ladders, LLC P.O. BOX 2279 Morristown, TN 37816-2279 Ph: (423) 586-2265 Fax: (423) 586-2091 www.PrecisionLadders.com</p>	WORK ORDER: ( )	DWG. CHECK	ARCHT OR ENGR.	PROJECT	PRECISION REP	
		BUILT BY:	PURCHASE ORDER	REVISION	PURCHASER	
		CHECKED BY:	DRAWN BY: DNH	DATE: 11/18/15	MODEL#	SERIAL#
					QTY.	