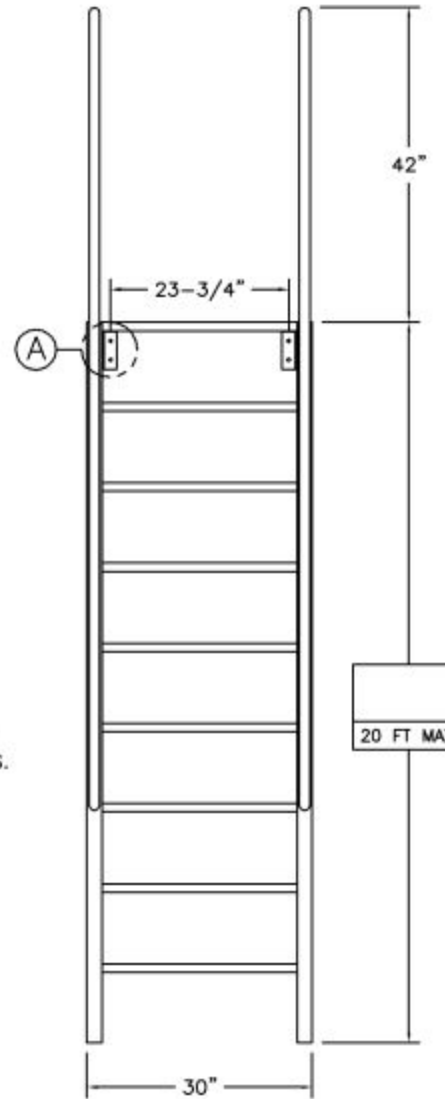
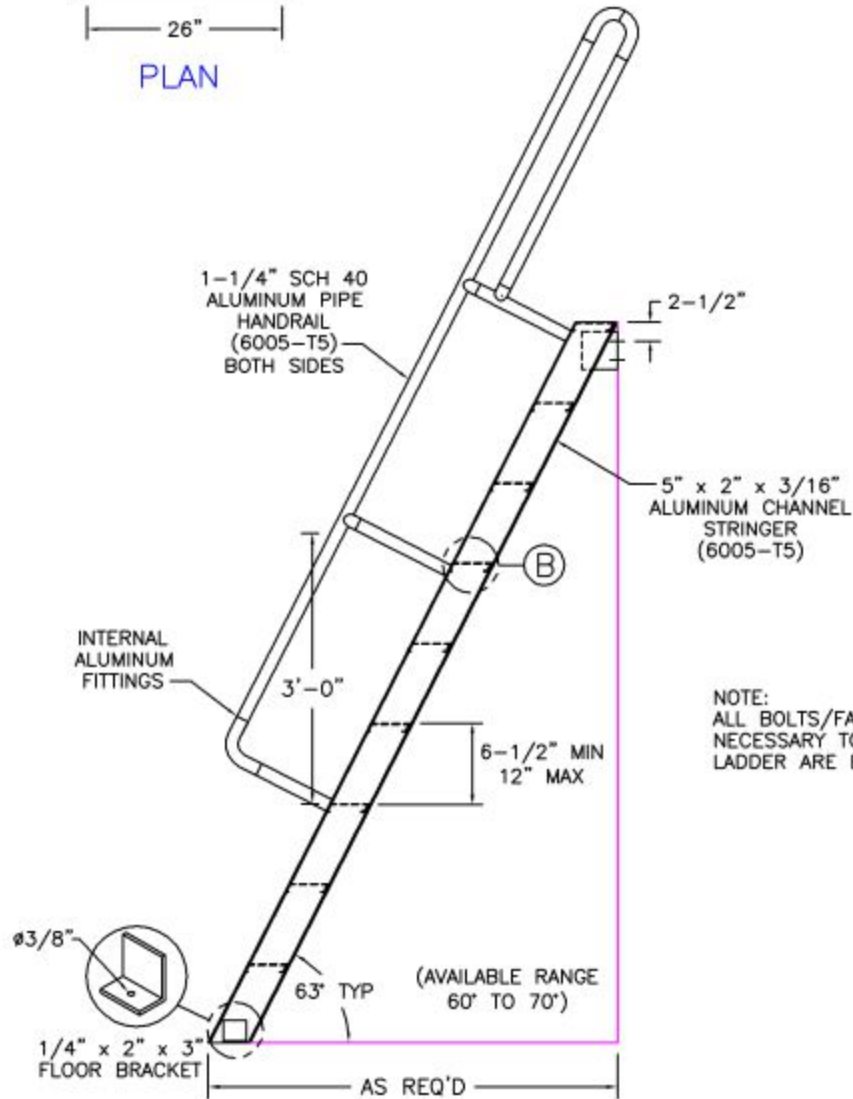
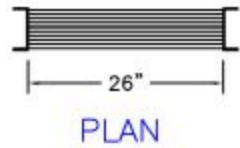
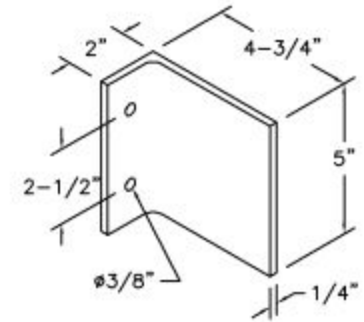


# ALUMINUM SHIPS STAIR w/WALK-THRU

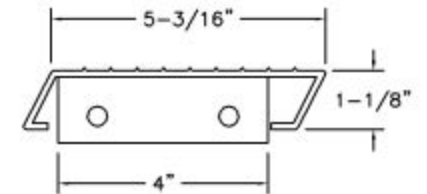


## A MOUNTING BRACKET (6005-T5)



BRACKET WELDED TO INSIDE OF STRINGER

## B ALUMINUM TREAD (6005-T5)



1-1/4" x 1-1/4" x 1/4" ANGLE WELDED TO TREAD

TREAD WELDED AND BOLTED TO STRINGER WITH 1/4" ROUND HEAD BOLTS

FACTORY FINISH  
ALUMINUM-MILL FINISH

OSHA 1910.25

SL-02

**Precision Ladders, LLC**  
 P.O. BOX 2279 Morristown, TN 37816-2279  
 Ph: (423) 586-2265 Fax: (423) 586-2091  
 www.PrecisionLadders.com

WORK ORDER: ( )	DWG. CHECK	ARCH'T OR ENG'R.	PROJECT		PRECISION REP
	BUILT BY:	PURCHASE ORDER	DATE	PURCHASER	SERIAL#
	CHECKED BY:	DRAWN BY:	DATE	MODEL#	QTY.
		DNH	3/8/17	SL-	