

Aluminum Ships Ladders

05 51 33.16 / PRF
BUYLINE 1110

Aluminum
Ships
Ladders



Precision Ladders, LLC

www.PrecisionLadders.com

Precision Ladders, LLC • P.O. Box 2279 • Morristown, TN 37816
Phone: (800) 225-7814 or (423) 586-2265 • Fax: (423) 586-2091
email: laddersales@precisionladders.com • www.precisionladders.com

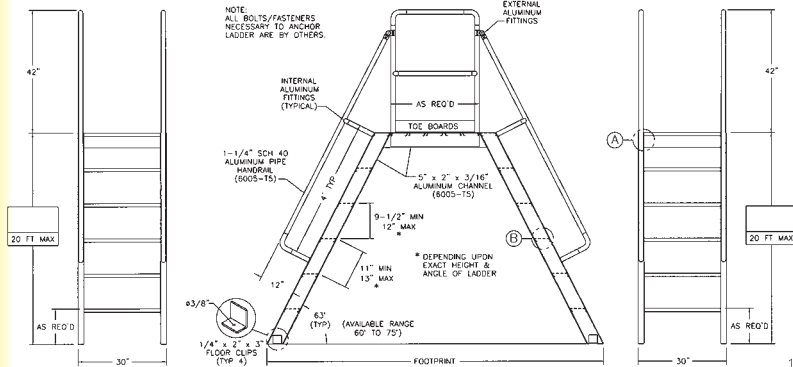
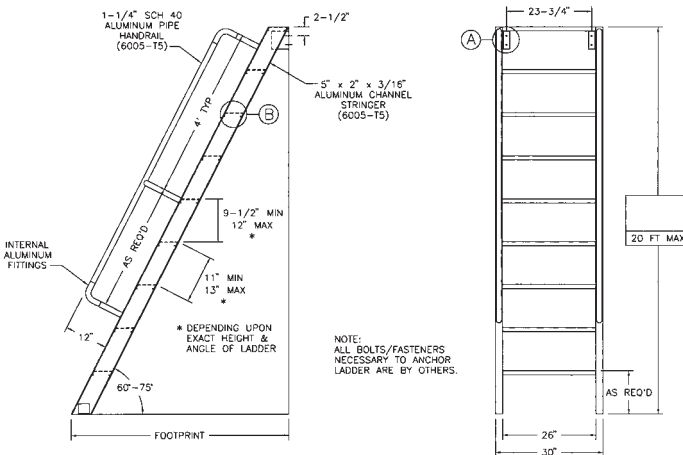
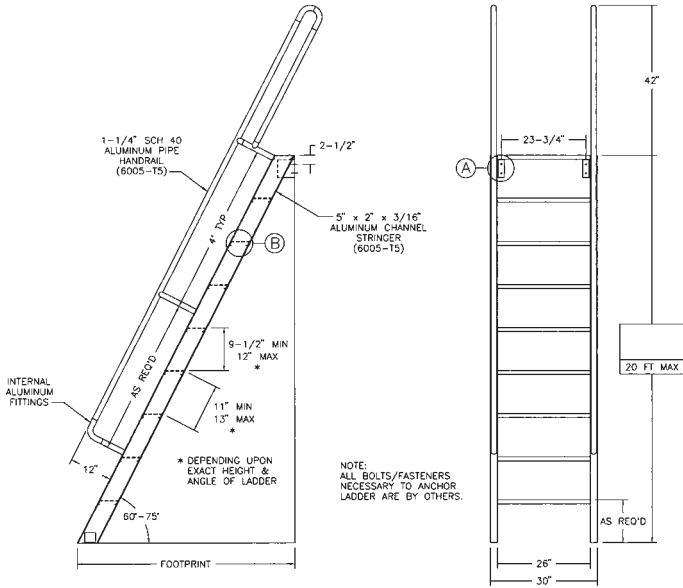


Precision Aluminum Ships Ladders

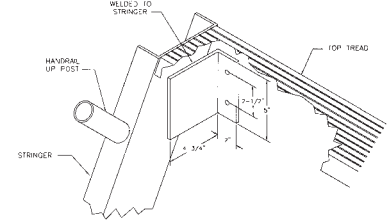
Aluminum Ships Ladders

Highlights

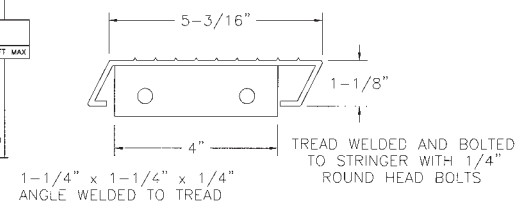
- 1,000 lb load capacity
- Stringers: 5" x 2" x 3/16"
- Treads: 26" wide x 5 3/16" clear (std)
- Deeply serrated treads for maximum traction (see bottom right)
- Handrails: 1 1/4" Sch 40 aluminum pipe featuring internal fittings for smooth finish
- Angle of incline: 60° - 75°
- Optional 42" handrail extension for accessing platform, landings, or elevated work spaces (shown top left)
- Finishes: Mill finish (std), anodized, powder coated.
- Optional tread materials: bar grating
- Optional model for Roof Hatch access. (Shown left middle)
- Special applications: "Crossover" ladders, attached landing platform at top or between 2 ladders



(A) Standard Top Bracket Detail



(B) Standard Tread Detail



Phone (800) 225-7814 • Fax (423) 586-2091

DWG files available for download @ www.precisionladders.com

Consult factory for custom ladders.

Precision Ladders, LLC

www.PrecisionLadders.com



Product Details

05 51 33.16 / PRF
BUYLINE 1110

PITCH OF LADDER ("B")

| | 60° | 63° | 65° | 70° | 75° |
|-----|----------|----------|----------|---------|---------|
| 72 | 47.3427 | 42.2974 | 39.0910 | 31.5267 | 24.4687 |
| 78 | 50.8068 | 45.3546 | 41.8888 | 33.7105 | 26.0764 |
| 84 | 54.2709 | 48.4117 | 44.6867 | 35.8943 | 27.6841 |
| 90 | 57.7350 | 51.4689 | 47.4845 | 38.0782 | 29.2918 |
| 96 | 61.1991 | 54.5260 | 50.2824 | 40.2620 | 30.8994 |
| 102 | 64.6632 | 57.5832 | 53.0802 | 42.4458 | 32.5071 |
| 108 | 68.1273 | 60.6403 | 55.8781 | 44.6296 | 34.1148 |
| 114 | 71.5914 | 63.6975 | 58.6759 | 46.8134 | 35.7225 |
| 120 | 75.0555 | 66.7546 | 61.4737 | 48.9972 | 37.3302 |
| 126 | 78.5196 | 69.8118 | 64.2716 | 51.1811 | 38.9379 |
| 132 | 81.9837 | 72.8689 | 67.0694 | 53.3649 | 40.5456 |
| 138 | 85.4478 | 75.9261 | 69.8673 | 55.5487 | 42.1533 |
| 144 | 88.9119 | 78.9832 | 72.6651 | 57.7325 | 43.7610 |
| 150 | 92.3760 | 82.0404 | 75.4630 | 59.9163 | 45.3687 |
| 156 | 95.8401 | 85.0975 | 78.2608 | 62.1002 | 46.9764 |
| 162 | 99.3042 | 88.1547 | 81.0586 | 64.2840 | 48.5841 |
| 168 | 102.7683 | 91.2118 | 83.8565 | 66.4678 | 50.1917 |
| 174 | 106.2323 | 94.2690 | 86.6543 | 68.6516 | 51.7994 |
| 180 | 109.6964 | 97.3261 | 89.4522 | 70.8354 | 53.4071 |
| 186 | 113.1605 | 100.3833 | 92.2500 | 73.0192 | 55.0148 |
| 192 | 116.6246 | 103.4404 | 95.0478 | 75.2031 | 56.6225 |
| 198 | 120.0887 | 106.4976 | 97.8457 | 77.3869 | 58.2302 |
| 204 | 123.5528 | 109.5547 | 100.6435 | 79.5707 | 59.8379 |
| 210 | 127.0169 | 112.6119 | 103.4414 | 81.7545 | 61.4456 |
| 216 | 130.4810 | 115.6690 | 106.2392 | 83.9383 | 63.0533 |
| 222 | 133.9451 | 118.7261 | 109.0371 | 86.1221 | 64.6610 |
| 228 | 137.4092 | 121.7833 | 111.8349 | 88.3060 | 66.2687 |
| 234 | 140.8733 | 124.8404 | 114.6327 | 90.4898 | 67.8764 |
| 240 | 144.3374 | 127.8976 | 117.4306 | 92.6736 | 69.4840 |

LEVEL TO LEVEL HEIGHT ("A")

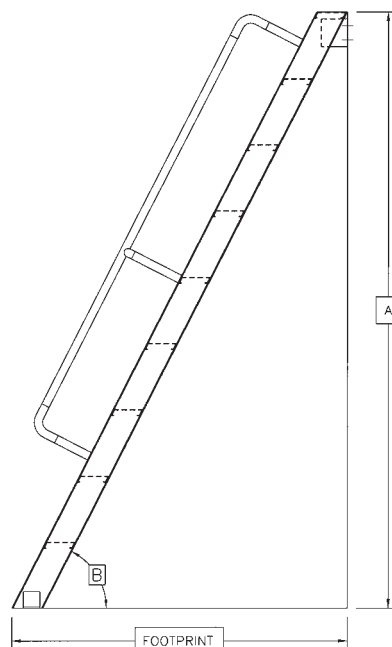


CHART 1: FOOTPRINT AT VARIOUS ANGLES AND HEIGHTS

The above list is only a sampling; if the exact floor height or desired pitch is not listed, please call the factory for assistance. (Any height not exceeding 20'0")

**Aluminum
Ships
Ladders**

Other Products Available From Precision

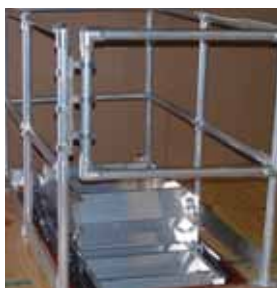
Super Simplex Disappearing Stairways



Fixed Aluminum Wall Ladders



Roof Hatches



Safety Guard-Rail for Floor Openings

Precision Ladders, LLC

www.PrecisionLadders.com



Specifications

SECTION 05 51 33.16 Aluminum Ships Ladder

PART 1: GENERAL

1.01 SUMMARY

- A. Aluminum Ships Ladder including ladder and handrails on both sides.
- B. Products required, but not supplied under this section.
 - 1. Required fasteners.

1.02 SYSTEM DESCRIPTION

The system is an aluminum ladder designed to be permanently attached top and bottom. Pitches from 60°-75°, as measured from the horizontal, are available.

1.03 DELIVERY, STORAGE, AND HANDLING

- A. Examine ladder when it arrives on site. Notify the carrier and manufacturer of any damage.
- B. Store ladder until installation under roof, if possible; or, if stored outside, under a tarp or suitable cover.

1.04 WARRANTY

The ladder carries a limited warranty of five (5) years against defective material and workmanship, covering parts only, no labor or freight. Defective parts, if deemed so by the manufacturer, will be replaced at no charge, freight excluded, upon inspection at manufacturer's plant which warrants same.

1.05 MAINTENANCE

- A. Under normal usage, the ladder shall require no preventive maintenance.
- B. No "spare parts" shall be required.

PART 2: PRODUCTS

2.01 MANUFACTURER

Precision Ladders, LLC
P.O. Box 2279
Morristown, TN 37816
Phone: (800) 225-7814
Fax: (423) 586-2091

2.02 MATERIALS

A. LADDER

- 1. Stringers (siderail)
 - 1.1 Aluminum channel
5" x 2" x 3/16"(6005-T5).
- 2. Treads
 - 2.1 Aluminum channel
5 3/16" x 2'2"(6005-T5) Std.

- 3. Mounting Bracket
 - 3.1 Floor 2" x 3" x 1/4"
aluminum angle.
 - 3.2 Top 5" x 2" x 1/4"
aluminum angle.

B. HANDRAIL

- 1. 1 1/4" schedule 40 aluminum pipe (6000 Series).
- 2. Internal aluminum fittings.

C. SAFETY

Deeply serrated aluminum channel treads (standard) both welded and bolted to stringer.

D. MANUFACTURED UNITS

The Ships Ladder is a Model SL---.
(** Total vertical height of ladder in inches)

E. OPTIONS

- 1. Tread width as required to 4'0" (over 4'0" consult factory).
- 2. Finish options include anodized, and powder coat finish.
- 3. Tread material options include channel tread and bar grating.

F. FABRICATION

Ladder is completely fabricated ready for installation before shipment to the site.

G. FINISHES

- 1. Mill finish on aluminum components.
- 2. See options

PART 3: EXECUTION

3.01 INSTALLATION

Install per the manufacturer's installation instructions.

3.02 FIELD QUALITY CONTROL

The manufacturer has representatives in all areas of the United States and Canada. For the name of the closest representative, call (800) 225-7814.