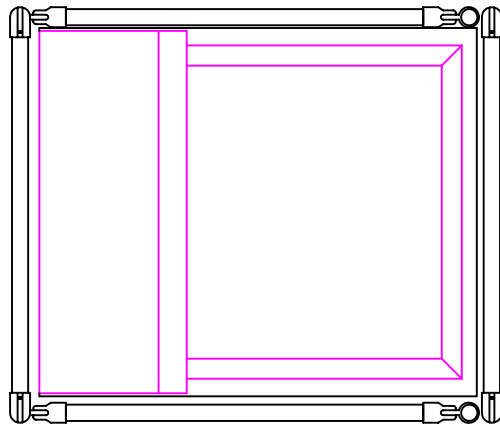
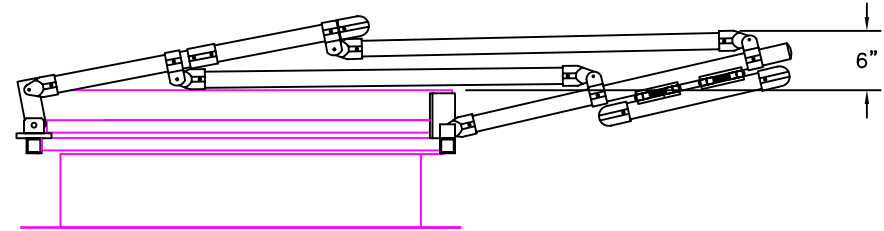


ALUMINUM FOLDING GUARD RAIL SYSTEM FOR ROOF HATCH



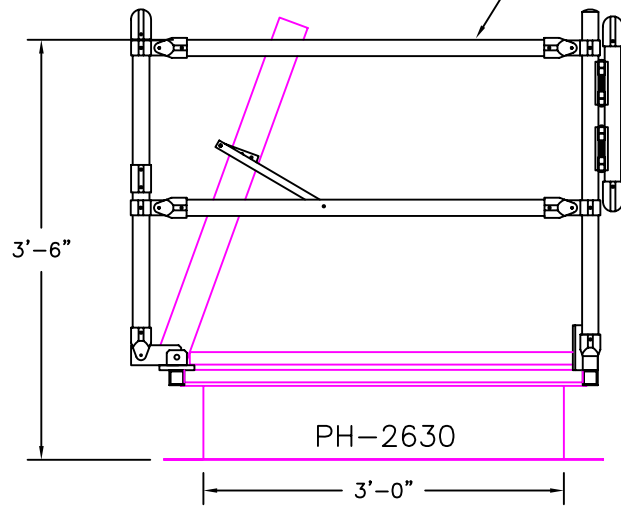
SELF-CLOSING GATE



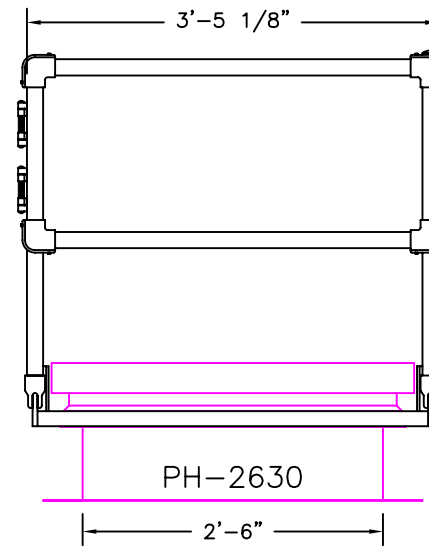
SIDE VIEW
(CLOSED POSITION)

OSHA GUIDELINE:
THIS HANDRAIL SYSTEM HAS
BEEN TESTED TO WITHSTAND
200# LOADING IN ANY
DIRECTION.

1-1/4" SCH 40
ALUMINUM PIPE
HANDRAILS
(6005-T5)



PH-2630



PH-2630

FACTORY FINISH
ALUMINUM-MILL FINISH