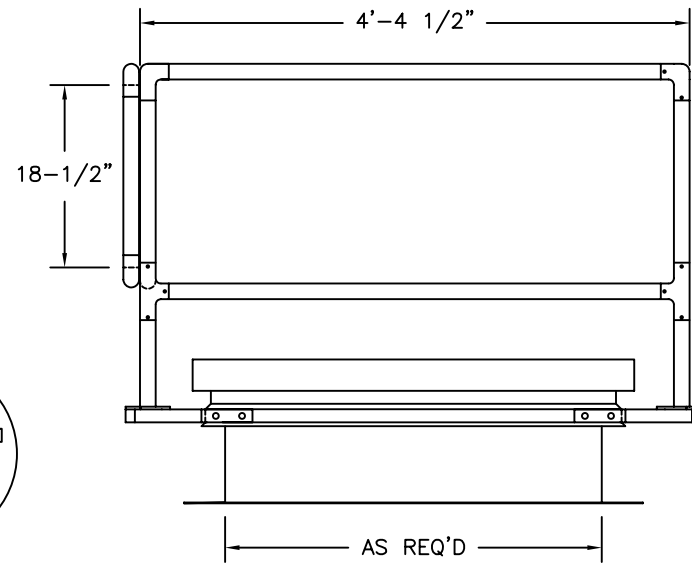
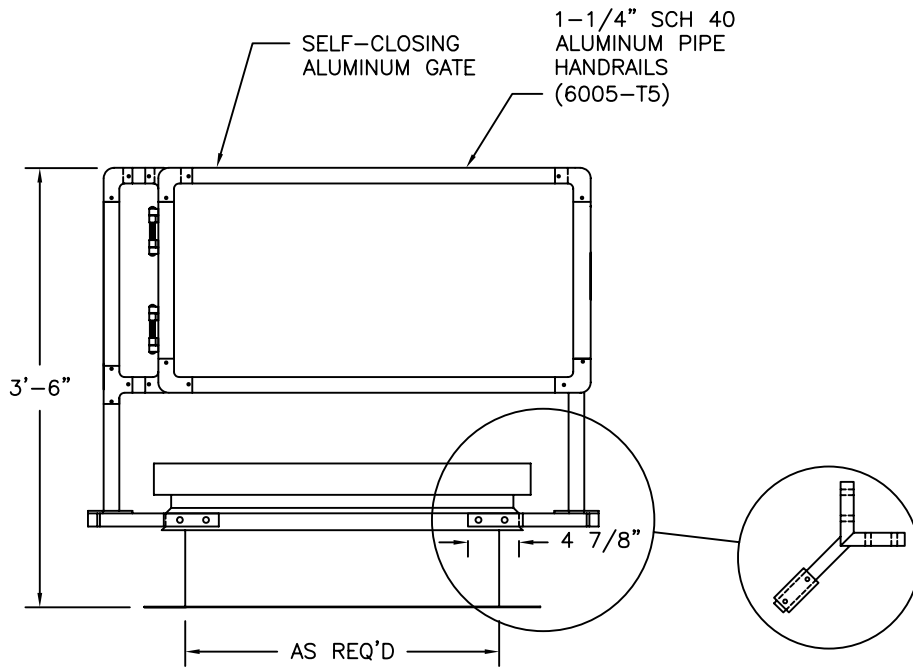
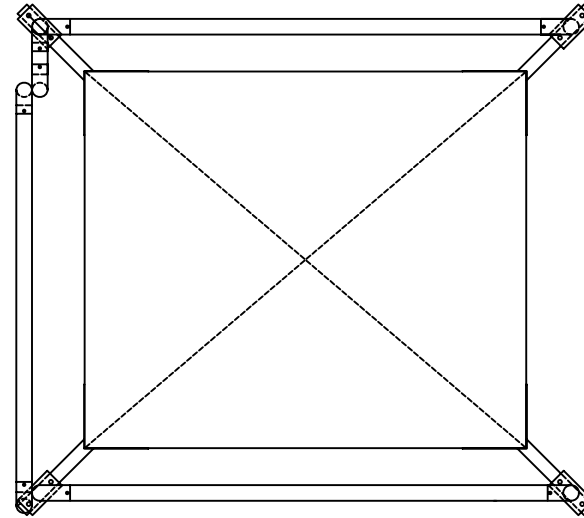


# ROOF HATCH GUARD-RAIL SYSTEM

OSHA GUIDELINE:  
THIS HANDRAIL SYSTEM HAS  
BEEN TESTED TO WITHSTAND  
200# LOADING IN ANY  
DIRECTION.

NOTE:  
SOME SIDE LENGTHS MAY  
REQUIRE A MIDDLE POST  
(NOT SHOWN)



FACTORY FINISH  
ALUMINUM-MILL FINISH

AGRS-H

**Precision Ladders, LLC**  
P.O. BOX 2279 Morristown, TN 37816-2279  
Ph: (423) 586-2265 Fax: (423) 586-2091  
www.PrecisionLadders.com

WORK ORDER: ( )	DWG. CHECK	ARCH'T OR ENG'R.	PROJECT		PRECISION REP
	BUILT BY:	PURCHASE ORDER	REVISION	PURCHASER	SERIAL#
	CHECKED BY:	DRAWN BY: DNH	DATE: 11/19/15	MODEL# AGRS-	QTY.