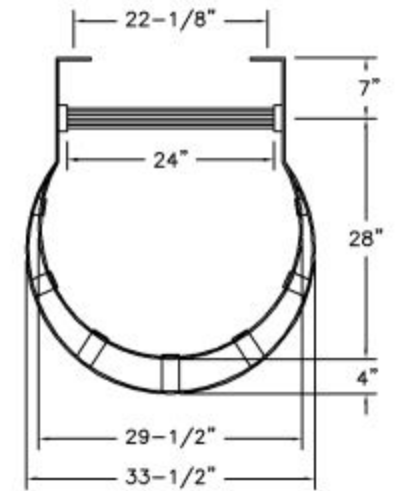
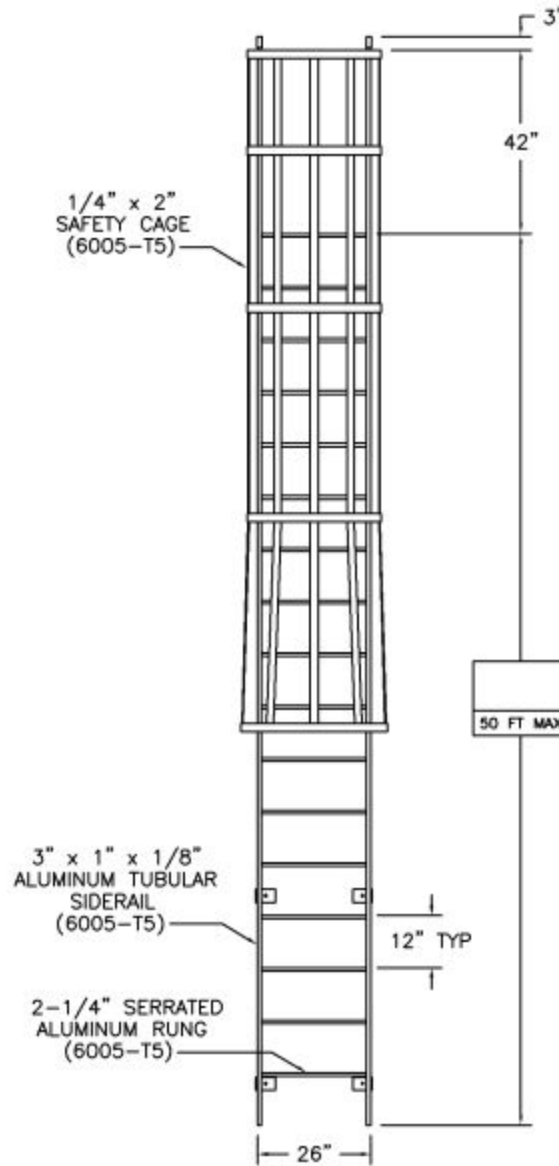
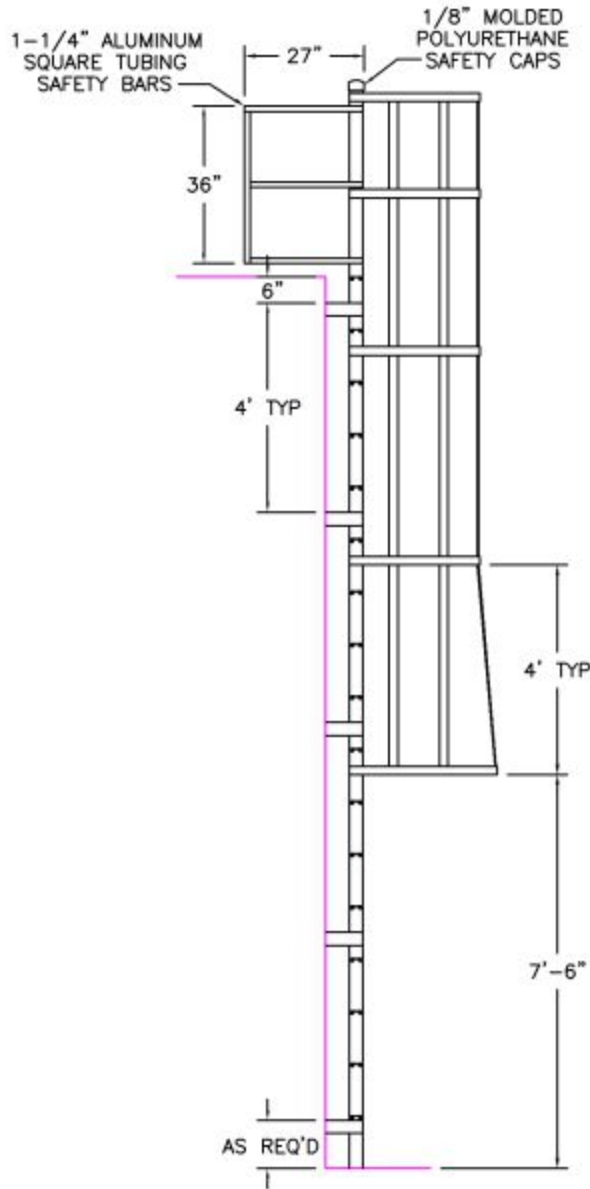
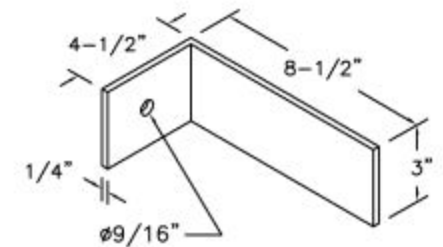


# TUBULAR FIXED LADDER w/CAGE & WALK-THRU



PLAN

(SAETY BARS OMITTED FOR CLARITY)



BRACKET DETAIL

NOTE:  
ALL BOLTS/FASTENERS NECESSARY TO ANCHOR LADDER ARE BY OTHERS.

**FACTORY FINISH**  
**ALUMINUM-MILL FINISH**

FLH-06

LADDERS MANUFACTURED BY PRECISION LADDERS, LLC  
COMPLY WITH OSHA 1910.23 AND ANSI 14.3

INDIVIDUAL RUNG TESTED AT  
3,000 LBS WITHOUT FAIL

LADDER RATED AT 1,500 LBS



**Precision Ladders, LLC**

P.O. BOX 2279 Morristown, TN 37816-2279  
Ph: (423) 586-2265 Fax: (423) 586-2091  
www.PrecisionLadders.com

DWG. CHECK	ARCH'T OR ENG'R.	PROJECT		PRECISION REP
BUILT BY:	PURCHASE ORDER	DATE	PURCHASER	SERIAL#
CHECKED BY:	DRAWN BY: DNH	DATE 4/4/17	MODEL# FL-	QTY.