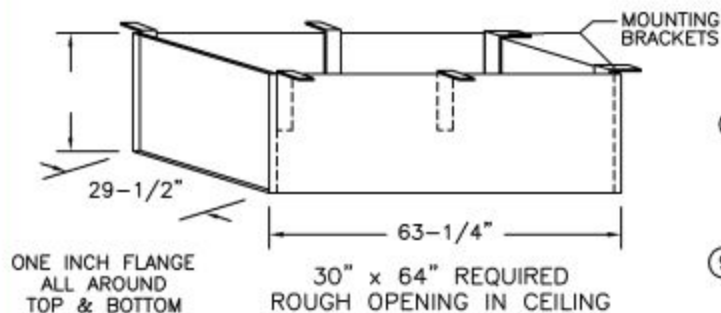


SS-4000 AUTOMATIC SUPER SIMPLEX STAIRWAY WITH STANDARD BOX FRAME

(USE THIS DRAWING FOR CEILING HEIGHTS BETWEEN 9'-10" TO 12'-0")



STANDARD BOX FRAME
 FABRICATED FROM 1/8" STEEL
 THIS DRAWING ACCOMODATES FRAME DEPTHS FROM 6" TO 11".

NOTES

IF FLOOR ABOVE IS MORE THAN 12" ABOVE CEILING LINE, 63 DEGREE ANGLE FRAME IS RECOMMENDED.

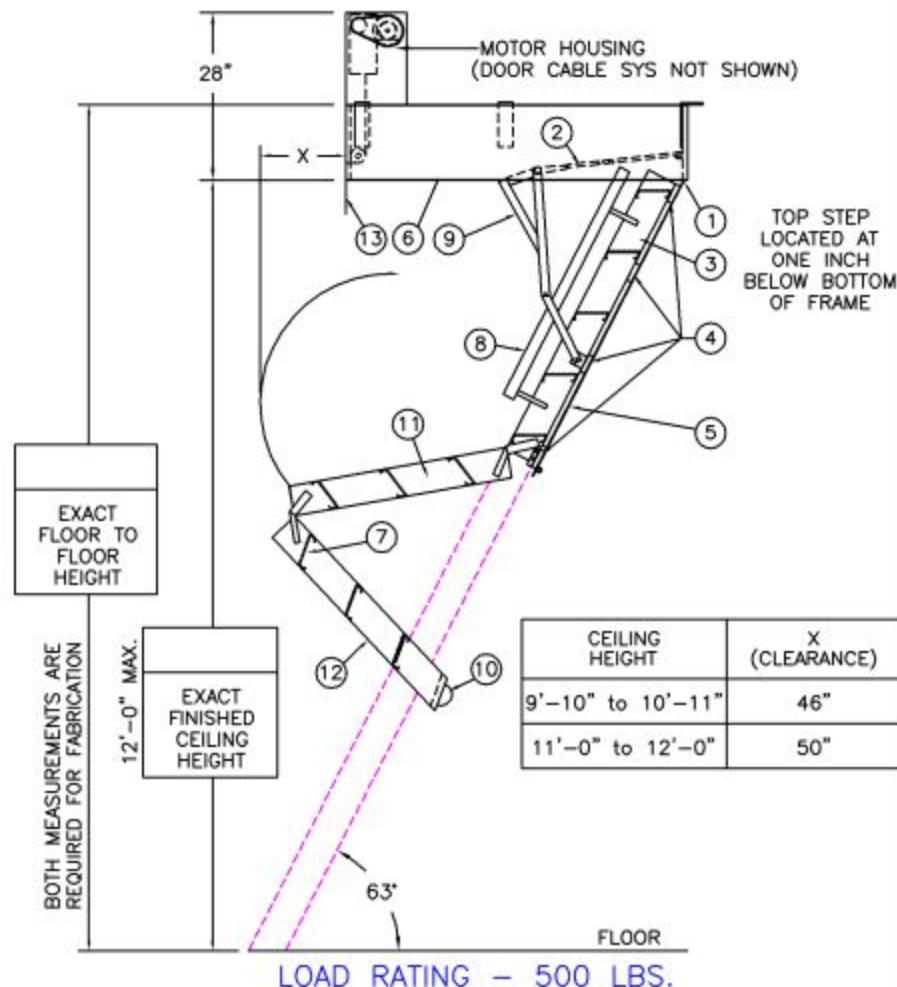
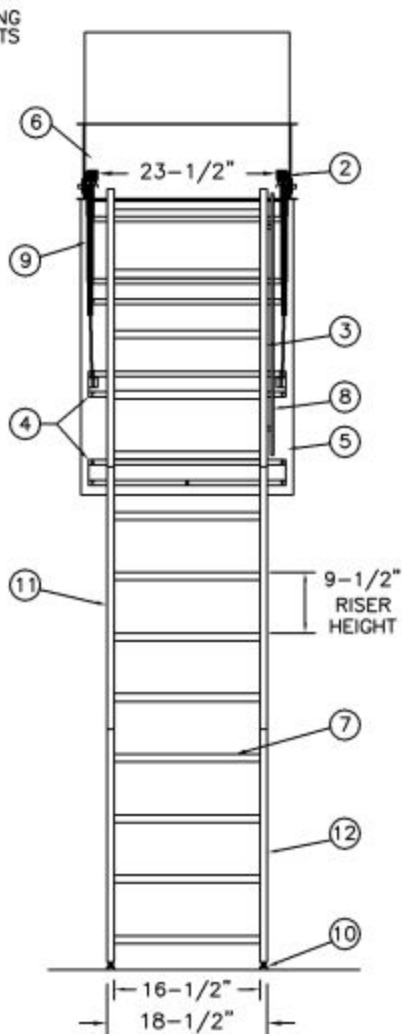
DIMENSIONS ON THIS DRAWING PERTAIN ONLY TO CEILING HEIGHTS BETWEEN 9'-10" AND 12'-0" WITH LESS THAN A 12" FRAME.

SHIPS COMPLETELY ASSEMBLED AS ONE UNIT.

MOTOR REQUIRES STANDARD 120V/30A CIRCUIT

MANUFACTURER RECOMMENDS THAT 2 PEOPLE OPEN/CLOSE UNITS INSTALLED IN CEILINGS 11" AND OVER.

MODEL SS4000 STAIRWAYS ARE ELECTRICALLY OPERATED VIA WIRELESS KEYPAD. ONCE A CORRECT CODE IS KEYED, THE DOOR PANEL OPENS (OR CLOSES) AND THE STAIR SECTIONS UNFOLD (OR FOLD UP).



LADDER LEGEND

- | | |
|---------------------------|------------------------------|
| 1. STEEL PIANO DOOR HINGE | 8. HANDRAIL RIGHT SIDE ONLY |
| 2. DOUBLE SPRING ACTION | 9. EXTRA HEAVY OPERATING ARM |
| 3. SIDE RUNNER 5" ALUM. | 10. ROLLER |
| 4. BATTEN 1/8" ALUM. | 11. MIDDLE SECTION |
| 5. DOOR PANEL 1/8" ALUM. | 12. BOTTOM SECTION |
| 6. STEEL BOX FRAME | 13. EMERGENCY RELEASE CABLE |
| 7. TREAD (SERRATED ALUM.) | |

NOT TO SCALE

S4144-B-30