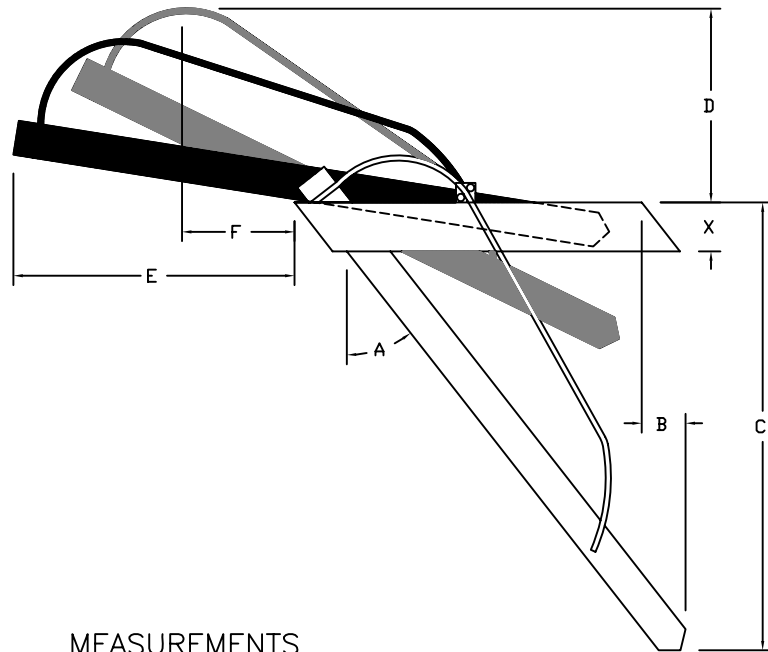


KEY TO PRECISION AUTOMATIC ELECTRIC DISAPPEARING STAIRWAY



MEASUREMENTS

A	38'
B	-
*C	-
D	-
E	-
F	-
X	-

* MEASURED FROM FLOOR TO FLOOR

NOT TO SCALE

ALUMINUM CONSTRUCTION

STANDARD:

- ROUGH OPENING IN CEILING 30" X 72"
- ① FRAME 1/8" STEEL X 28-1/2" X 71" X _____
(USE 52" ANGLE FRAME IF DROPPED CEILING IS 13" OR MORE FOR HEAD CLEARANCE)
 - EXACT FINISHED CEILING HEIGHT ± 1/2": _____
 - EXACT FLOOR TO FLOOR DIMENSION ± 1/2": _____
 - ② HAND-GUIDE RAILS 1-1/16"OD GALVANIZED
 - ③ SEALED BALL BEARINGS
 - ④ 1/3 HP 115-VOLT INSTANTLY REVERSIBLE MOTOR DIRECT-CONNECTED TO A REDUCTION GEAR DRIVE, COMPLETE WITH CONTACTORS & PREWIRED TO CONTROL SWITCHES.
 - ⑤ STRINGERS 7" X .230" CHANNEL
 - ⑥ TREADS 6" X 20-3/16" X .225" CHANNEL COVERED WITH NON-SKID SAFETY TREAD
 - ⑦ DOOR PANEL 1/8" SHEET ALUMINUM
 - ⑧ BATTERY BACK-UP (NOT SHOWN)
(USED IN CASE OF POWER FAILURE TO LOWER ONLY)

EACH STAIRWAY IS FACTORY TESTED BEFORE SHIPMENT & IS SHIPPED IN A HEAVY PROTECTIVE CRATE.

OPTIONS--(Check if Required)

- KEY SWITCH AT LOWER LEVEL -----
- WARNING BUZZER, WHEN STAIR IS IN USE -----

AEAKEY72

<p>Precision Ladders, LLC P.O. Box 2279 Morristown, TN 37816-2279 Ph: (423) 586-2265 Fax: (423) 586-2091 www.PrecisionLadders.com</p>	DWG. CHECK	ARCH'T OR ENGR.	PROJECT		PRECISION REP
	BUILT BY:	PURCHASE ORDER	WORK ORDER	PURCHASER	SERIAL#
	CHECKED BY:	DRAWN BY: JBR	DATE: 12/23/09	MODEL#: AE-	QTY: 1