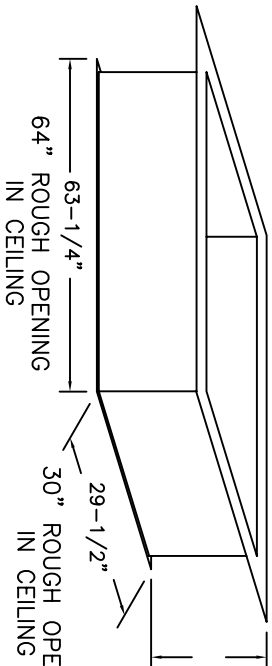


SUPER SIMPLEX DISAPPEARING STAIRWAY WITH DEEP BOX FRAME TO ROOF HATCH

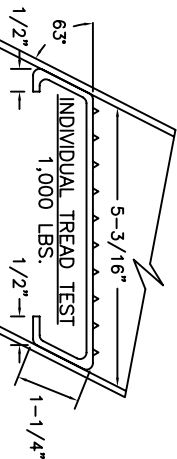
(USE THIS DRAWING FOR CEILING HEIGHTS 9'-10" - 12'-0")

FIVE INCH FLANGE AT TOP
ONE INCH FLANGE AT BOTTOM

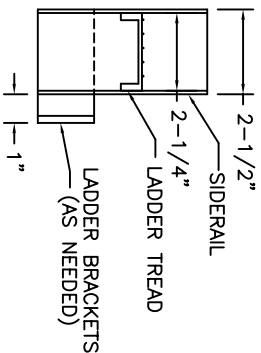


SPECIAL DEEP BOX FRAME

1/8" STEEL, TO CONTAIN ALUMINUM SUPER SIMPLEX FOLDING STAIRWAY CUT FOR EXACT FINISHED CEILING HEIGHT. THIS FRAME, WITH FACTORY INSTALLED BUILT-IN TREADS, PROVIDES STEPS FROM THE DROPPED-CEILING LINE TO THE UPPER FLOOR.



FRAME LADDER DETAIL



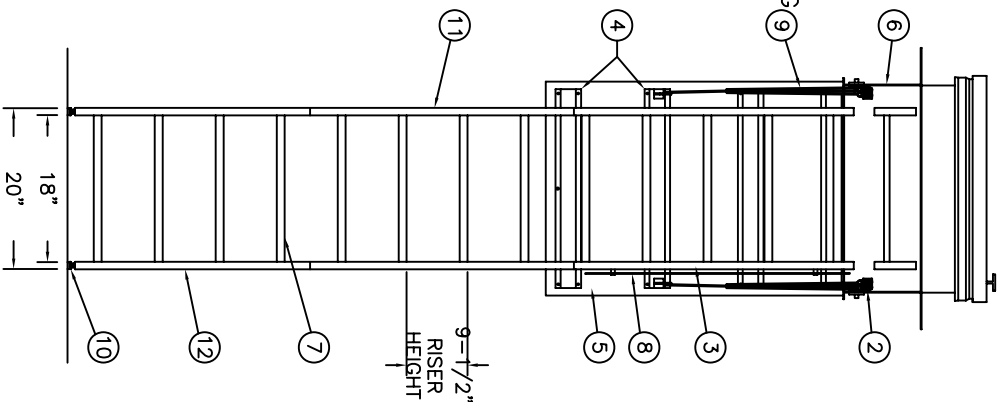
NOTES

IF FLOOR ABOVE IS MORE THAN 12" ABOVE CEILING LINE, 63 DEGREE ANGLE FRAME IS RECOMMENDED.

DIMENSIONS ON THIS DRAWING PERTAIN ONLY TO CEILING HEIGHTS OVER 9'-9".

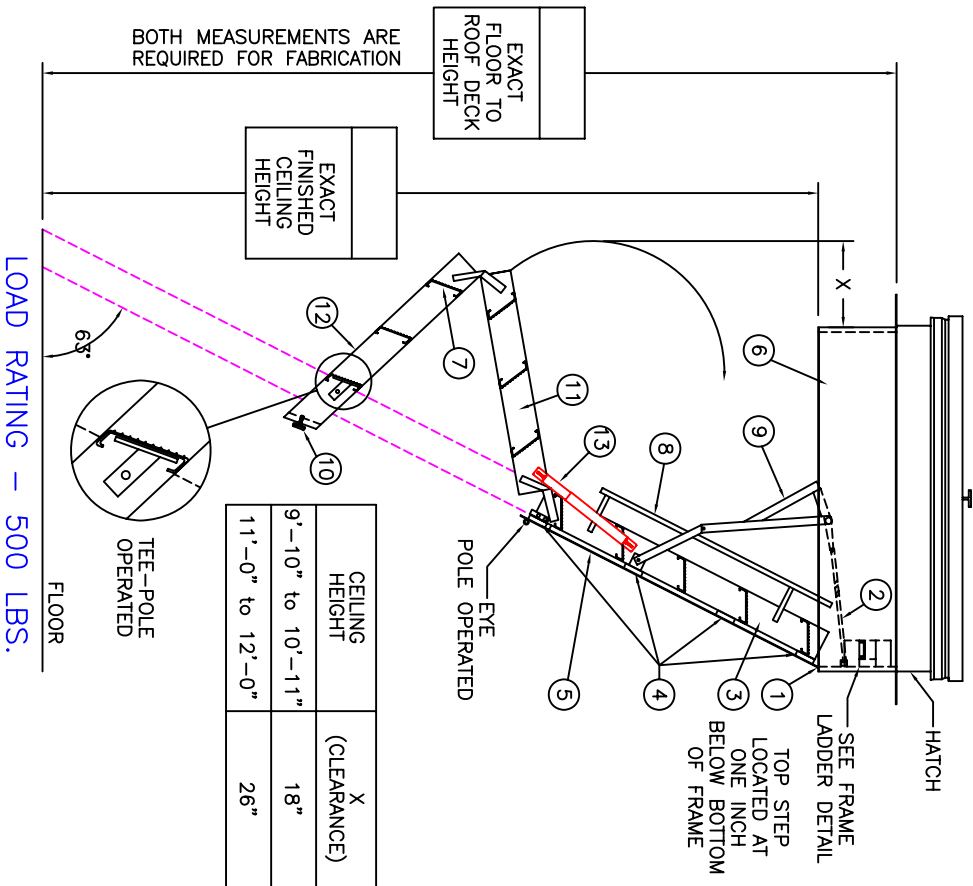
MANUFACTURER RECOMMENDS THAT 2 PEOPLE OPEN/CLOSE UNITS INSTALLED IN CEILINGS 11' & OVER.

SHIPS COMPLETELY ASSEMBLED AS ONE UNIT



OPTIONS

- 2 HOUR FIRE RATED ASSEMBLY
- LOCK ON DOOR PANEL



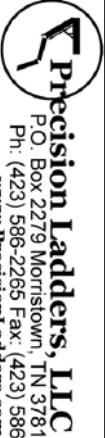
BOTH MEASUREMENTS ARE REQUIRED FOR FABRICATION

LOAD RATING - 500 LBS.

LADDER LEGEND

1. STEEL PLANO DOOR HINGE
2. DOUBLE SPRING ACTION
3. SIDE RUNNER 5" ALUM.
4. BATTEN 1/8" ALUM.
5. DOOR PANEL 1/8" ALUM.
6. STEEL BOX FRAME
7. TREAD (SERRATED ALUM.)
8. HANDRAIL ON RIGHT SIDE ONLY
9. EXTRA HEAVY OPERATING ARM
10. ADJUSTABLE FOOT
11. MIDDLE SECTION
12. BOTTOM SECTION
13. FOLD-ASSIST

NOT TO SCALE



DMG CHECK	ARCHT OR ENGR.	PROJECT	PRECISION REP
BUILT BY:	PURCHASE ORDER	WORK ORDER	SERIAL #
CHECKED BY:	DRAWN BY:	DATE:	QTY:
WWW.Precisionladders.com	JBR	7/27/09	
		MODEL #	
		SS/AL-	