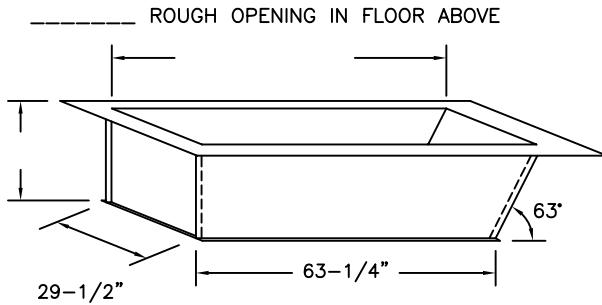


SUPER SIMPLEX DISAPPEARING STAIRWAY WITH DEEP ANGLE FRAME TO HATCH

(USE THIS DRAWING FOR CEILING HEIGHTS 9'-10" - 12'-0")

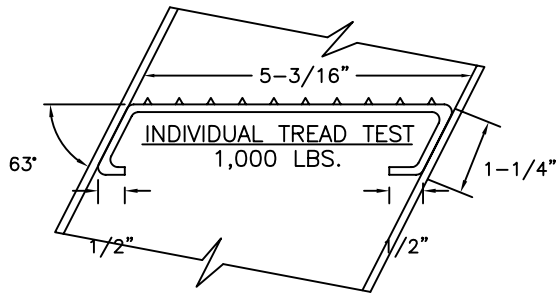
FIVE INCH FLANGE
ALL AROUND TOP
ONE INCH FLANGE
ALL AROUND BOTTOM



30" x 64" REQUIRED
ROUGH OPENING IN CEILING

SPECIAL DEEP FRAME

1/8" STEEL, 63 DEGREE ANGLE ONE END, 90 DEGREE OTHER END, TO CONTAIN SUPER SIMPLEX FOLDING STAIRWAY CUT FOR EXACT FINISHED CEILING HEIGHT. THIS FRAME, WITH FACTORY INSTALLED BUILT-IN TREADS, PROVIDES STEPS FROM THE DROPPED-CEILING LINE TO THE UPPER FLOOR.

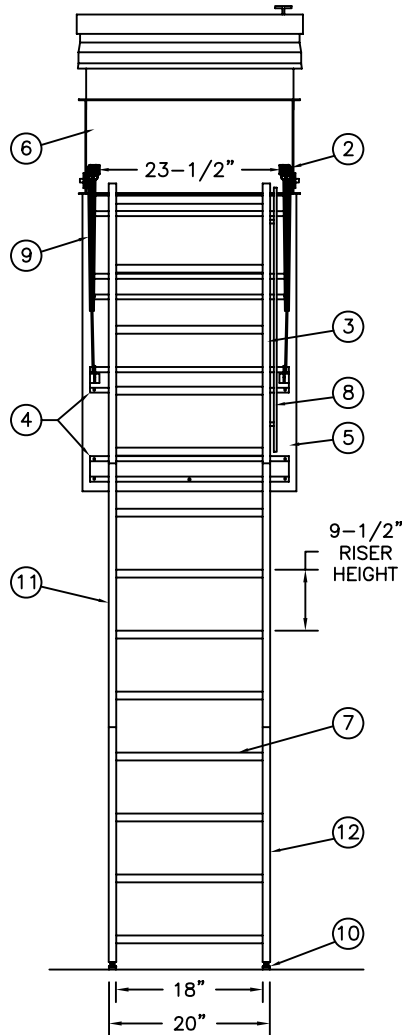


NOTES

DIMENSIONS ON THIS DRAWING PERTAIN ONLY TO CEILING HEIGHTS OVER 9'-9".

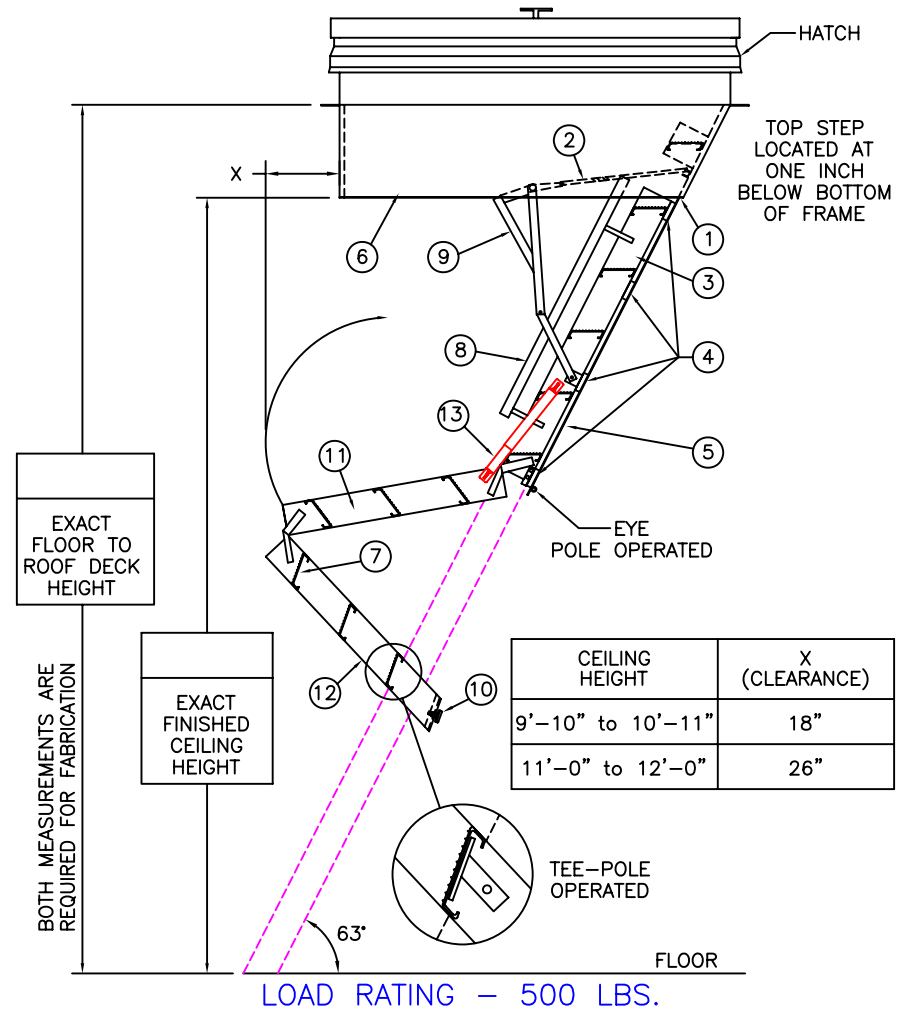
SHIPS COMPLETELY ASSEMBLED AS ONE UNIT

NOT TO SCALE



OPTIONS

- 2 HOUR FIRE RATED ASSEMBLY
- LOCK ON DOOR PANEL



LADDER LEGEND

- 1. STEEL PIANO DOOR HINGE
- 2. DOUBLE SPRING ACTION
- 3. SIDE RUNNER 5" ALUM.
- 4. BATTEN 1/8" ALUM.
- 5. DOOR PANEL 1/8" ALUM.
- 6. STEEL ANGLE FRAME
- 7. TREAD (SERRATED ALUM.)
- 8. HANDRAIL RIGHT SIDE ONLY
- 9. EXTRA HEAVY OPERATING ARM
- 10. ADJUSTABLE FOOT
- 11. MIDDLE SECTION
- 12. BOTTOM SECTION
- 13. FOLD-ASSIST

S-144-AH-30

Precision Ladders, LLC
 P.O. Box 2279 Morristown, TN 37816-2279
 Ph: (423) 586-2265 Fax: (423) 586-2091
 www.PrecisionLadders.com

DWG. CHECK	ARCH'T OR ENG'R.	PROJECT		PRECISION REP
BUILT BY:	PURCHASE ORDER	WORK ORDER	PURCHASER	SERIAL#
CHECKED BY:	DRAWN BY: JBR	DATE: 7/27/09	MODEL#: SS/AL-	QTY.