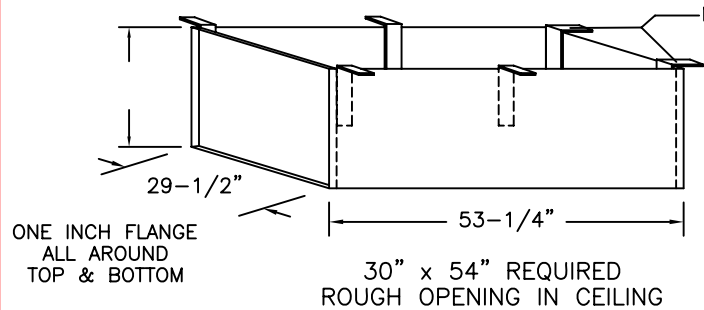


# SUPER SIMPLEX DISAPPEARING STAIRWAY WITH STANDARD BOX FRAME

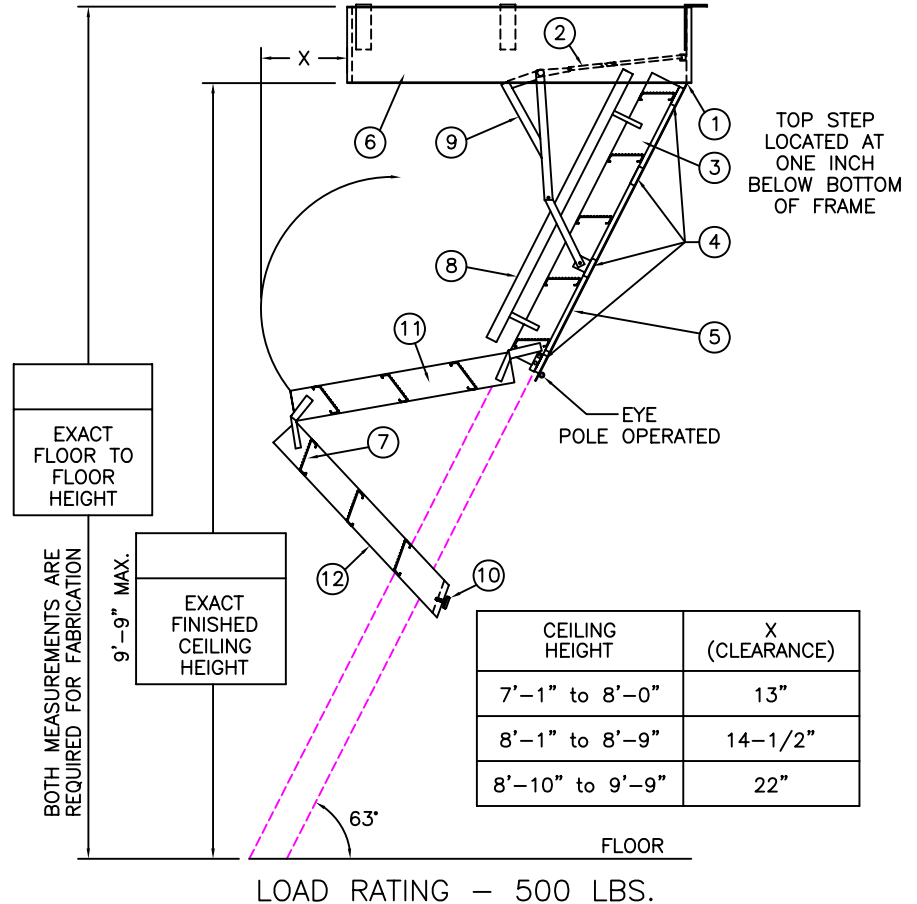
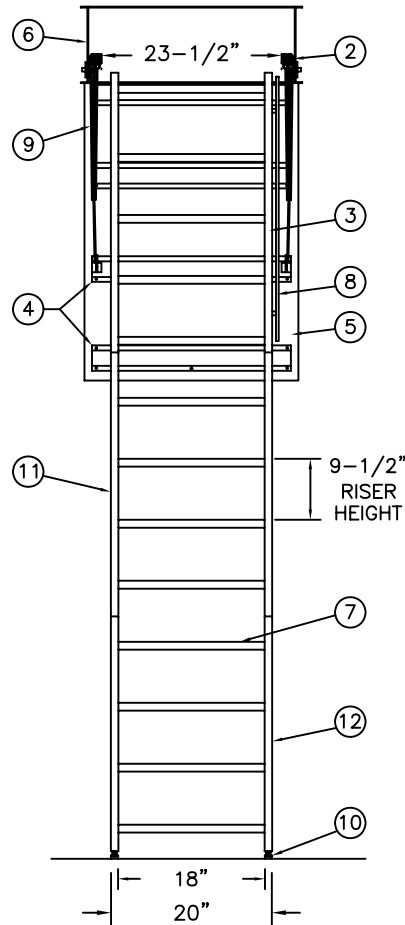
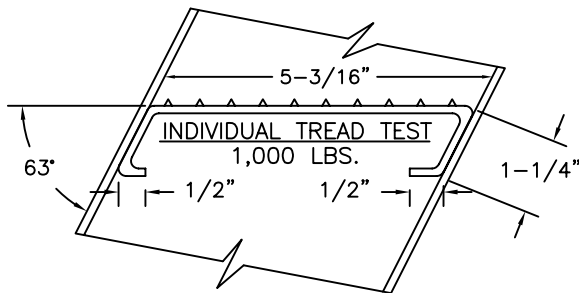
(USE THIS DRAWING FOR CEILING HEIGHTS 9'-9" OR LESS)



30" x 54" REQUIRED  
ROUGH OPENING IN CEILING

**STANDARD BOX FRAME  
FABRICATED FROM 1/8" STEEL**

THIS DRAWING ACCOMODATES FRAME DEPTHS  
FROM 6" TO 11".



## NOTES

IF FLOOR ABOVE IS MORE THAN 12" ABOVE CEILING LINE, 63 DEGREE ANGLE FRAME IS RECOMMENDED.

DIMENSIONS ON THIS DRAWING PERTAIN ONLY TO CEILING HEIGHTS 9'-9" OR LESS AND LESS THAN A 12" FRAME.

SHIPS COMPLETELY ASSEMBLED AS ONE UNIT.

## OPTIONS

- 2 HOUR FIRE RATED ASSEMBLY
- LOCK ON DOOR PANEL
- FOLD ASSIST

## LADDER LEGEND

- 1. STEEL PIANO DOOR HINGE
- 2. DOUBLE SPRING ACTION
- 3. SIDE RUNNER 5" ALUM.
- 4. BATTEN 1/8" ALUM.
- 5. DOOR PANEL 1/8" ALUM.
- 6. STEEL BOX FRAME
- 7. TREAD (SERRATED ALUM.)
- 8. HANDRAIL RIGHT SIDE ONLY
- 9. EXTRA HEAVY OPERATING ARM
- 10. ADJUSTABLE FOOT
- 11. MIDDLE SECTION
- 12. BOTTOM SECTION

NOT TO SCALE

S-117-B-30

**Precision Ladders, LLC**  
 P.O. Box 2279 Morristown, TN 37816-2279  
 Ph: (423) 586-2265 Fax: (423) 586-2091  
[www.PrecisionLadders.com](http://www.PrecisionLadders.com)

DWG. CHECK	ARCH'T OR ENG'R.	PROJECT	PRECISION REP
BUILT BY:	PURCHASE ORDER	REVISION	PURCHASER
CHECKED BY:	DRAWN BY: JBR	DATE: 10/27/09	MODEL# SS/AL
			QTY.
			SERIAL#