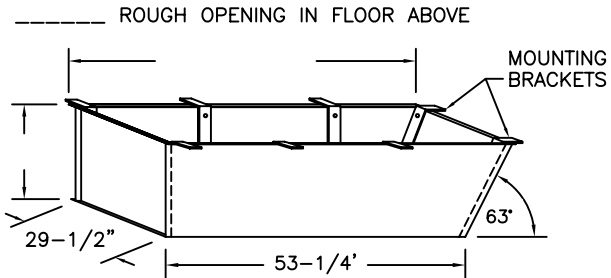


SUPER SIMPLEX WITH DEEP ANGLE FRAME FOR DROPPED CEILING

(USE THIS DRAWING FOR CEILING HEIGHTS UP TO 9' 9")

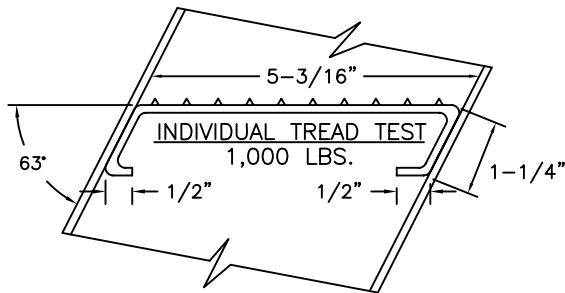
ONE INCH FLANGE
ALL AROUND
TOP & BOTTOM



30" x 54" REQUIRED
ROUGH OPENING IN CEILING

SPECIAL DEEP FRAME

1/8" STEEL, 63 DEGREE ANGLE ONE END, 90 DEGREE OTHER END, TO CONTAIN SUPER SIMPLEX FOLDING STAIRWAY CUT FOR EXACT FINISHED CEILING HEIGHT. THIS FRAME, WITH FACTORY INSTALLED BUILT-IN TREADS, PROVIDES STEPS FROM THE DROPPED-CEILING LINE TO THE UPPER FLOOR.

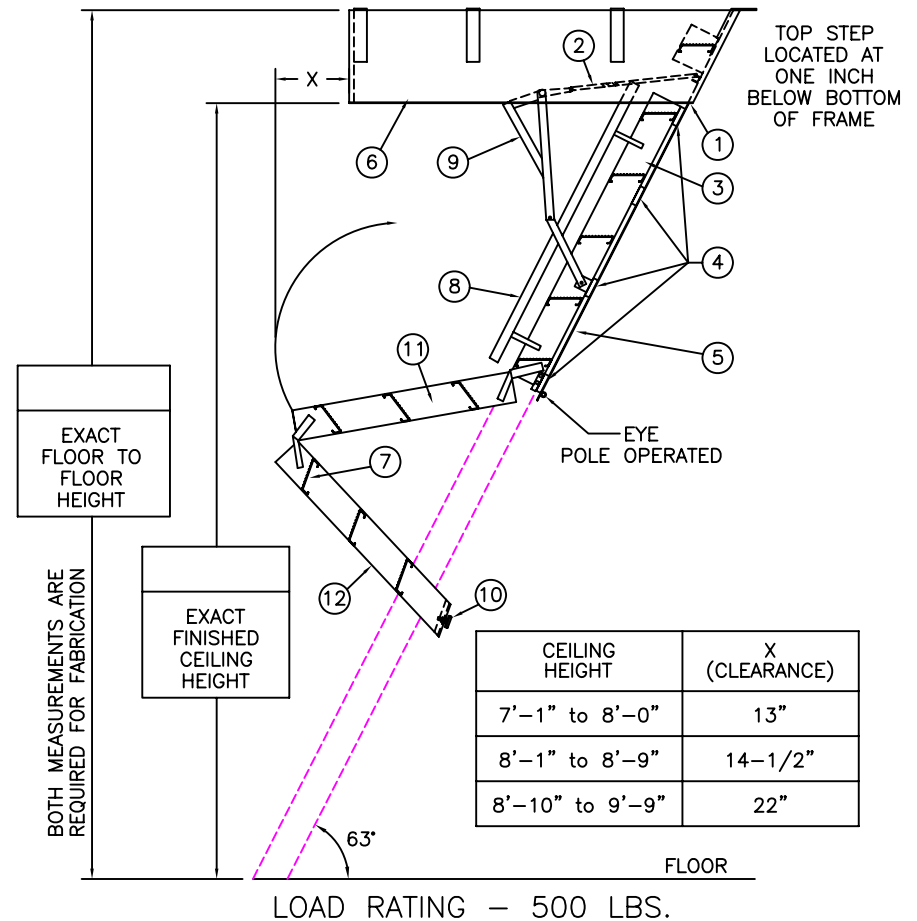
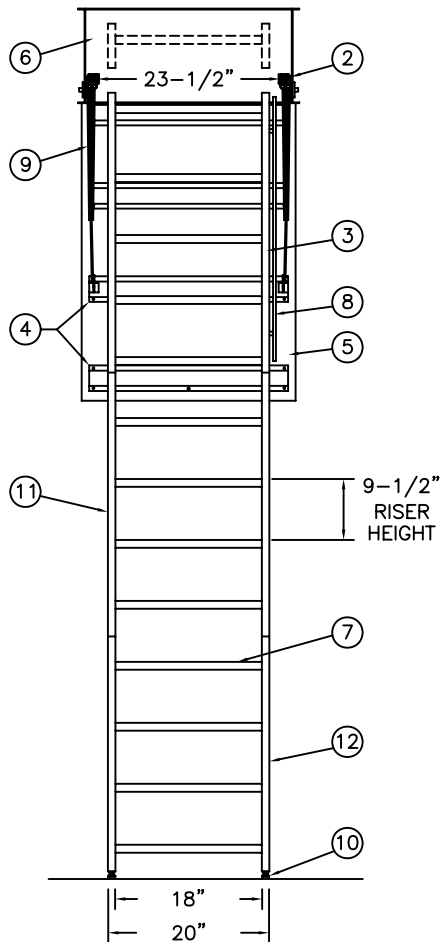


NOTES

IF FLOOR ABOVE IS MORE THAN 12" ABOVE CEILING LINE, 63 DEGREE ANGLE FRAME IS RECOMMENDED.

DIMENSIONS ON THIS DRAWING PERTAIN ONLY TO CEILING HEIGHTS 9'-9" OR LESS.

(SHIPS COMPLETELY ASSEMBLED AS ONE UNIT)



OPTIONS

- 2 HOUR FIRE RATED ASSEMBLY
- LOCK ON DOOR PANEL
- FOLD ASSIST
- PRIME PAINT DOOR PANEL (WHITE)

LADDER LEGEND

- 1. STEEL PIANO DOOR HINGE
- 2. DOUBLE SPRING ACTION
- 3. SIDE RUNNER 5" ALUM.
- 4. BATTEN 1/8" ALUM.
- 5. DOOR PANEL 1/8" ALUM.
- 6. STEEL ANGLE FRAME
- 7. TREAD (SERRATED ALUM.)
- 8. HANDRAIL RIGHT SIDE ONLY
- 9. EXTRA HEAVY OPERATING ARM
- 10. ADJUSTABLE FOOT
- 11. MIDDLE SECTION
- 12. BOTTOM SECTION

NOT TO SCALE

S-117-A-30

| | | | | |
|-------------|------------------|---------------|----------------|---------------|
| DWG. CHECK | ARCH'T OR ENG'R. | PROJECT | | PRECISION REP |
| BUILT BY: | PURCHASE ORDER | REVISION | PURCHASER | SERIAL# |
| CHECKED BY: | DRAWN BY: JBR | DATE: 7/27/09 | MODEL#: SS/AL- | QTY. |