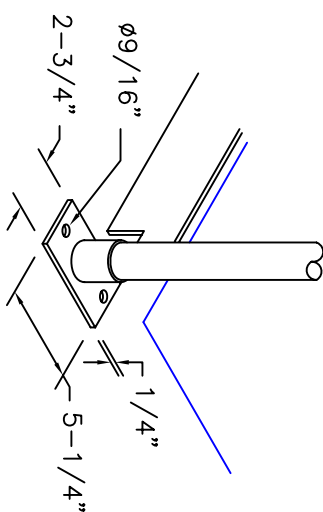
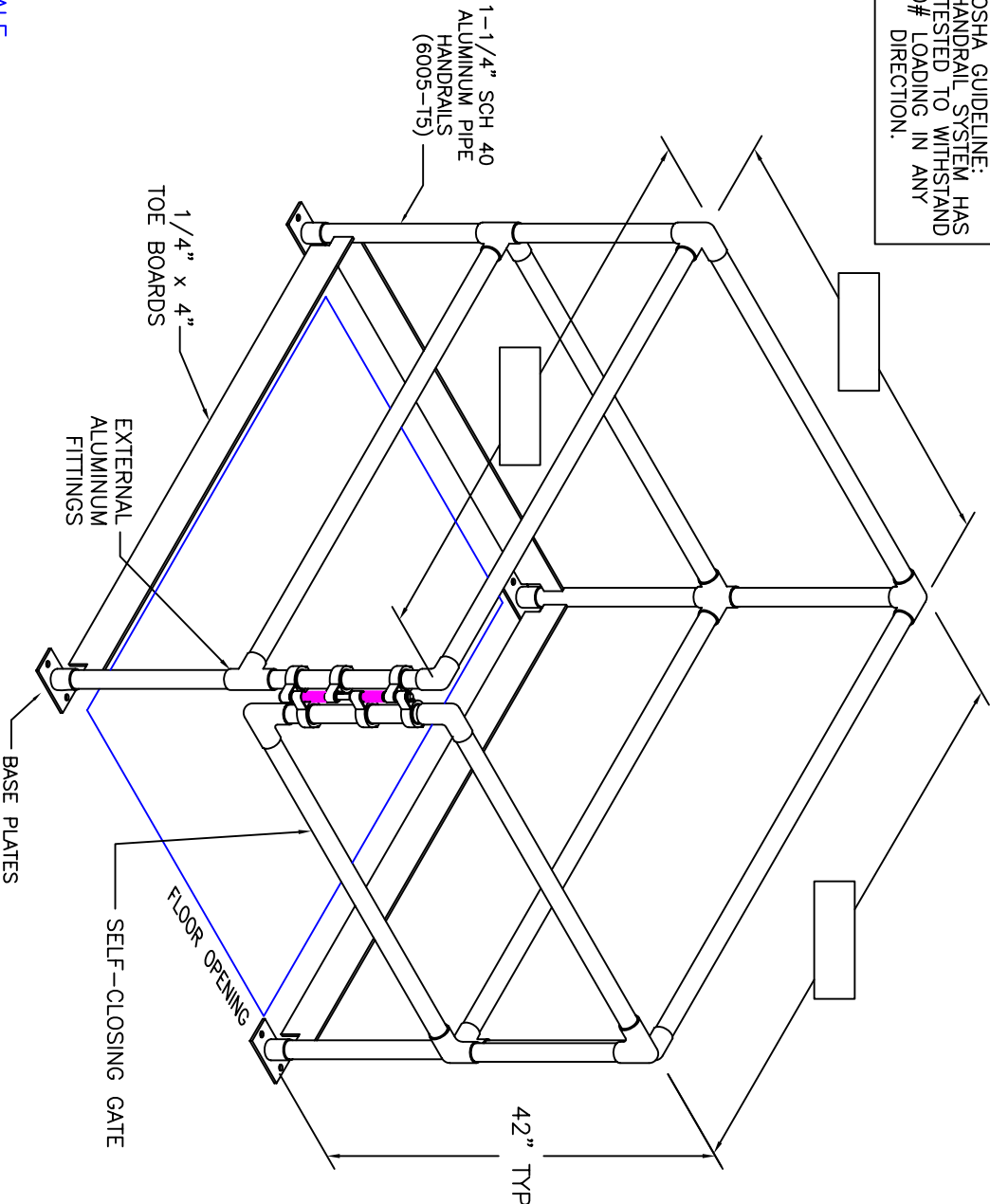


ALUMINUM GUARD RAIL SYSTEM FOR FLOOR OPENING

GUARDRAIL SIZE IS 6" WIDER THAN OPENING AND 6" LONGER THAN OPENING TO BE PROTECTED

OSHA GUIDELINE: THIS HANDRAIL SYSTEM HAS BEEN TESTED TO WITHSTAND 200# LOADING IN ANY DIRECTION.



BASE PLATE DETAIL
HANDRAIL CAN BE FLOOR MOUNTED w/ BASE PLATES OR CAN BE MOUNTED TO FRAME.

NOTE:
SOME SIDE LENGTHS MAY REQUIRE A MIDDLE POST (NOT SHOWN)

NOTE:
ALL BOLTS/FASTENERS NECESSARY TO ANCHOR LADDER ARE BY OTHERS.

FACTORY FINISH
ALUMINUM-MILL FINISH

Precision Ladders, LLC
P.O. Box 2279, Morristown, TN 37816-2279
Ph: (423) 586-2265 Fax: (423) 586-2091
www.PrecisionLadders.com

DIM. CHECK		ARCHT. OR ENGR.		PROJECT		PRECISION REP	
BUILT BY:	PURCHASE ORDER	DATE	PURCHASER	DATE	MODEL#	SERIAL#	AGRS-F
CHECKED BY:	DRAWN BY:	DATE	AGRS-	11/12/08			
	JBR						

NOT TO SCALE