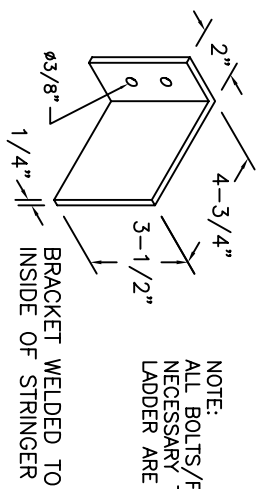


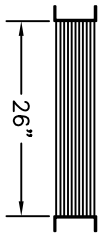
A MOUNTING BRACKET
(6005-T5)



NOTE:
ALL BOLTS/FASTENERS NECESSARY TO ANCHOR LADDER ARE BY OTHERS.

ALUMINUM CROSSOVER SHIPS LADDER
FACTORY FINISH
ALUMINUM-MILL FINISH

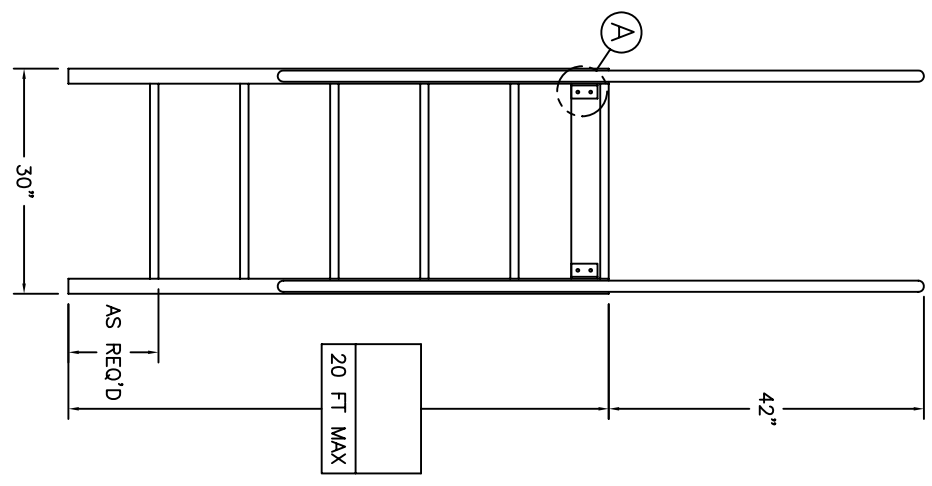
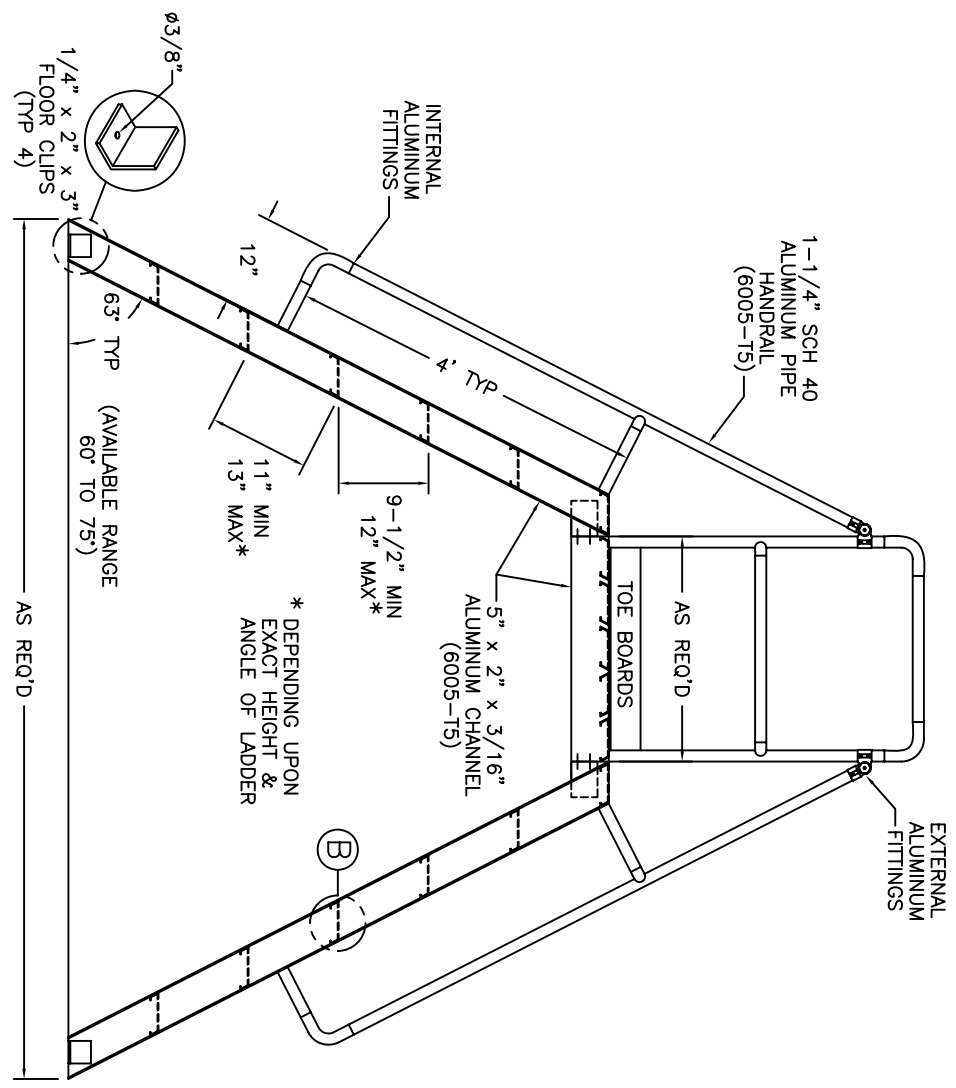
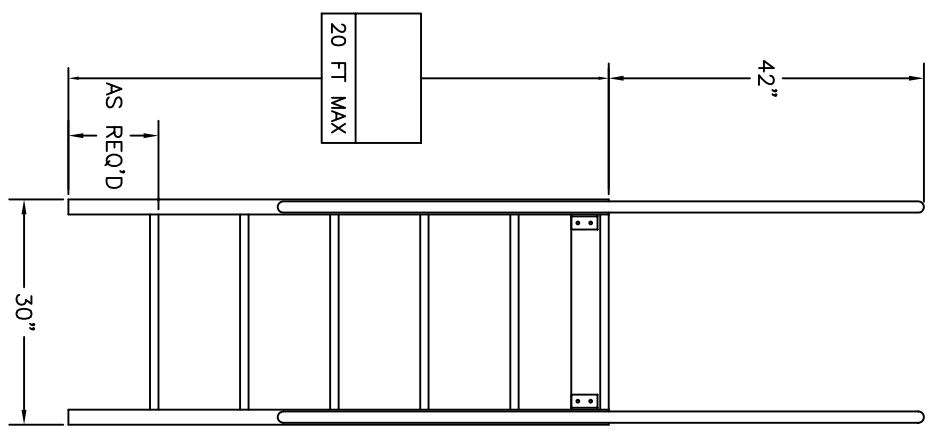
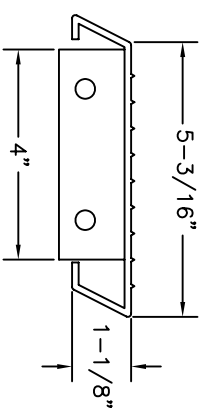
PLAN



(PLATFORM AND HANDRAILS OMITTED FOR CLARITY)

1-1/4" x 1-1/4" x 1/4" ANGLE WELDED TO TREAD
TREAD WELDED AND BOLTED TO STRINGER WITH 1/4" ROUND HEAD BOLTS

B ALUMINUM TREAD
(6005-T5)



Precision Ladders, LLC
P.O. Box 2279, Morristown, TN 37816-2279
Ph: (423) 586-2265 Fax: (423) 586-2091
www.PrecisionLadders.com

DWG. CHECK	ARCHT. OR ENGR.	PROJECT	PRECISION REP
BUILT BY:	PURCHASE ORDER	REVISION	SERIAL #
CHECKED BY:	DRAWN BY:	DATE	QTY.
	JEB	10/10/05	SL-

SL-03