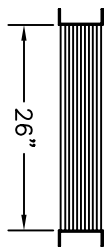
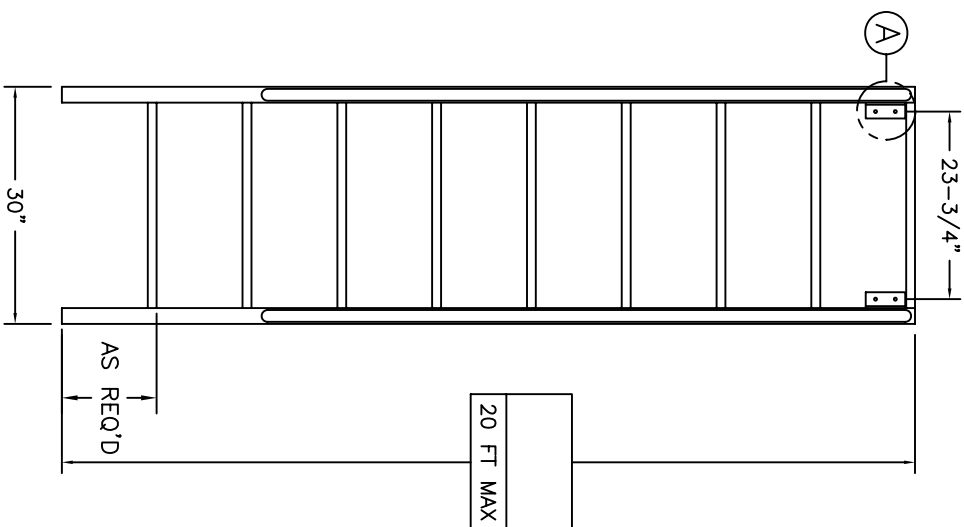
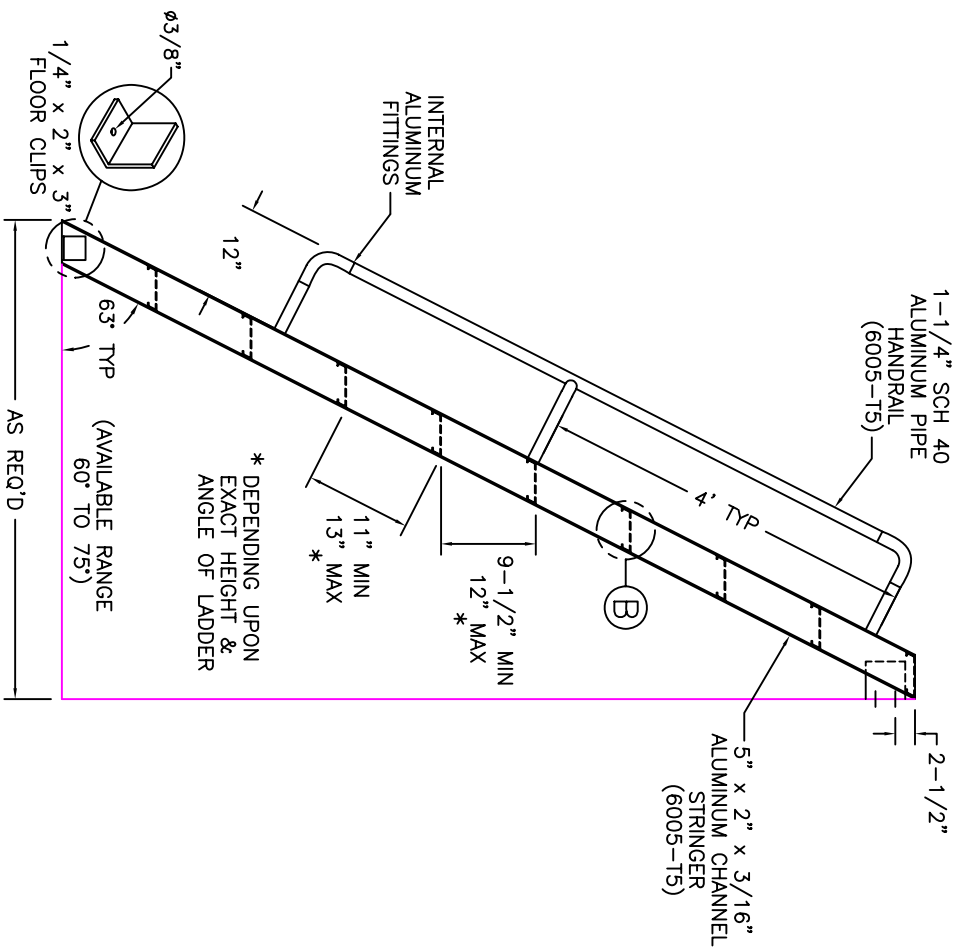


ALUMINUM SHIPS LADDER TO ROOF HATCH

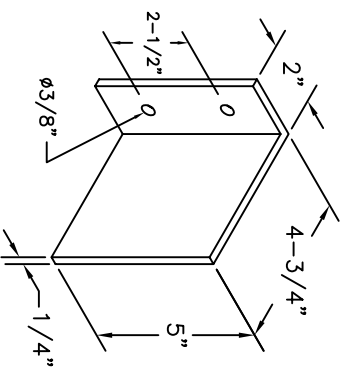


PLAN

NOTE:
ALL BOLTS/FASTENERS
NECESSARY TO ANCHOR
LADDER ARE BY OTHERS.

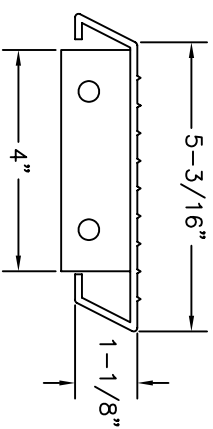


(A) MOUNTING BRACKET
(6005-15)



BRACKET WELDED TO
INSIDE OF STRINGER

(B) ALUMINUM TREAD
(6005-15)



TREAD WELDED AND BOLTED
TO STRINGER WITH 1/4"
ROUND HEAD BOLTS

FACTORY FINISH
ALUMINUM-MILL FINISH

Precision Ladders, LLC
P.O. Box 2279, Morristown, TN 37816-2279
Ph: (423) 586-2265 Fax: (423) 586-2091
www.PrecisionLadders.com

DMG CHECK	ARCHT OR ENGR.
BUILT BY:	PURCHASE ORDER
CHECKED BY:	DRAWN BY:
	JEB

PROJECT	PURCHASER
REVISION	MODEL#
DATE: 5/22/03	
	SL-

PRECISION REP	SERIAL#
	QTY.