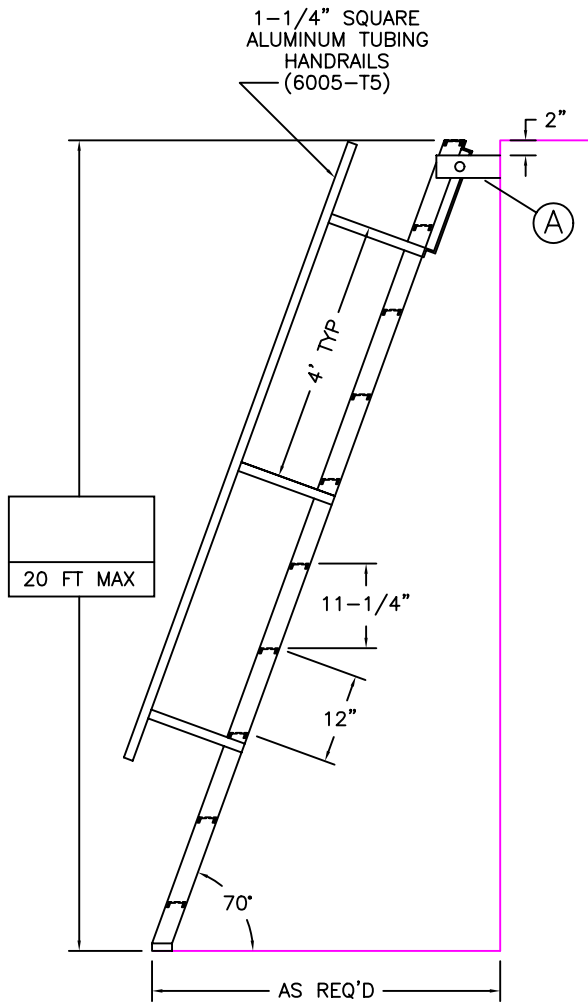
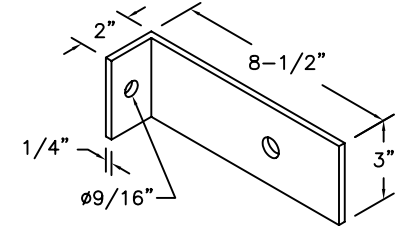


PIVOTAL LADDER w/HANDRAILS TO ROOF HATCH

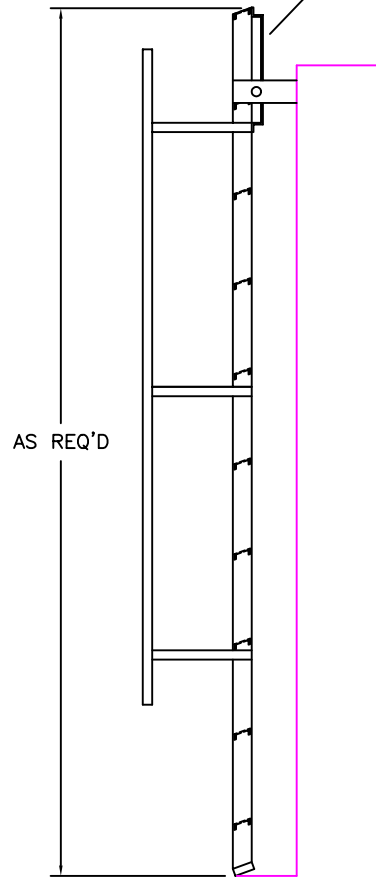
NOTE:
ALL BOLTS/FASTENERS
NECESSARY TO ANCHOR
LADDER ARE BY OTHERS.

AS REQ'D

Ⓐ MOUNTING BRACKET

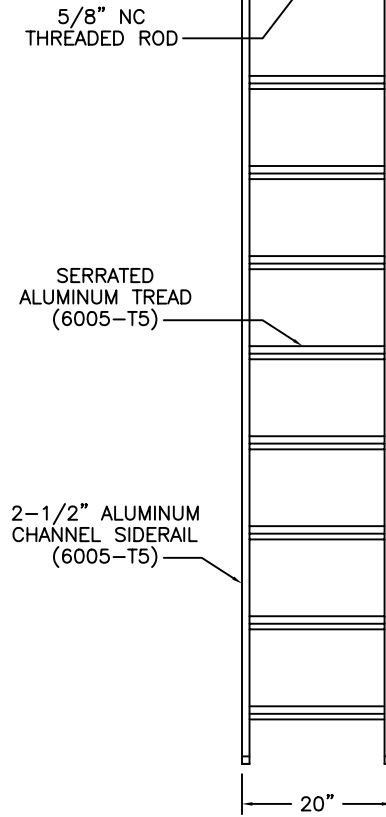


WORKING POSITION

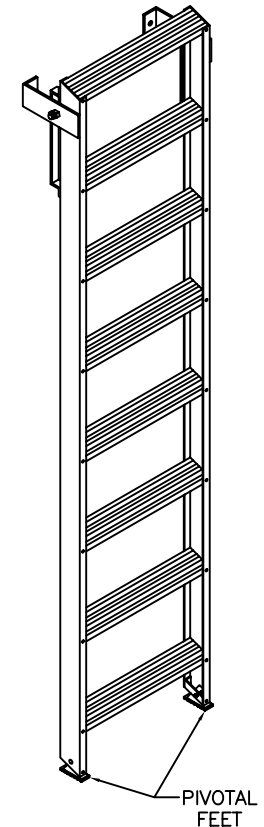


STORED POSITION

HANDRAILS OMITTED
IN THIS VIEW
FOR CLARITY



FRONT VIEW



PIVOTAL FEET

FACTORY FINISH
ALUMINUM-MILL FINISH

PL-04

Precision Ladders, LLC
P.O. BOX 2279 Morristown, TN 37816-2279
Ph: (423) 586-2265 Fax: (423) 586-2091
www.PrecisionLadders.com

WORK ORDER: ()	DWG. CHECK	ARCH'T OR ENGR.	PROJECT			PRECISION REP
	BUILT BY:	PURCHASE ORDER	REVISION	PURCHASER		SERIAL #
	CHECKED BY:	DRAWN BY: JEB	DATE: 3/27/03	MODEL#	PL-	QTY.