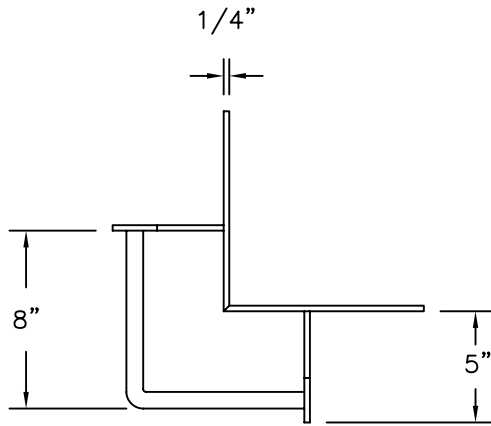


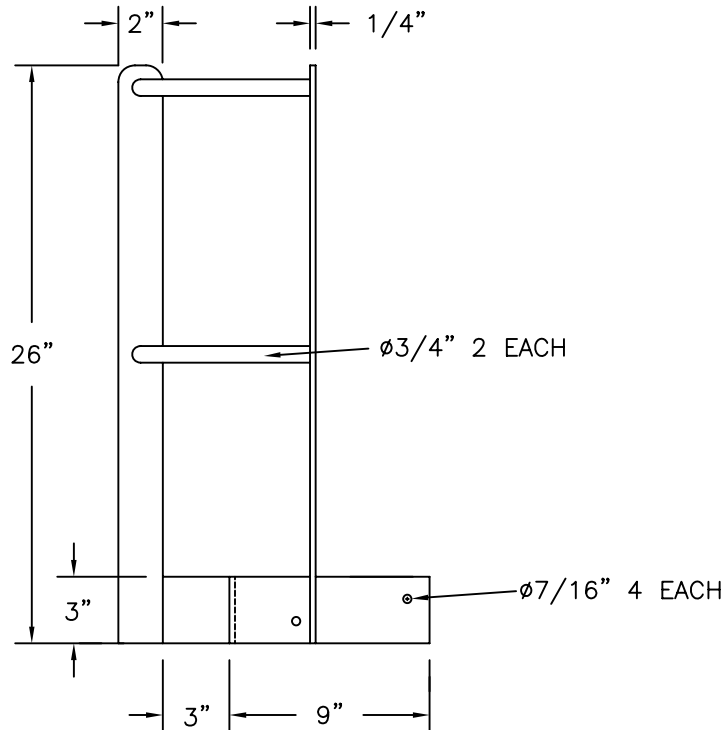
# PRECISION SAFETY HANDRAIL

(FOR ACCESS IN AND OUT OF ROOF HATCH)



PLAN

CAN BE MOUNTED TO LEFT OR  
RIGHT CORNER OF HATCH



- ONE PIECE WELDED CONSTRUCTION
- (2) 7"x3" INTERIOR REINFORCING PLATES
- (4) 3/8"x2 1/2" STEEL BOLTS, LOCK WASHERS AND NUTS

**FACTORY FINISH**  
HOT ROLL STEEL-YELLOW ENAMEL PAINTED

SAL

 **Precision Ladders, LLC**  
P.O. Box 2279 Morristown, TN 37816-2279  
Ph: (423) 586-2265 Fax: (423) 586-2091  
[www.PrecisionLadders.com](http://www.PrecisionLadders.com)

DWG. CHECK	ARCH'T OR ENG'R.	PROJECT		PRECISION REP
BUILT BY:	PURCHASE ORDER	WORK ORDER	PURCHASER	SERIAL#
CHECKED BY:	DRAWN BY: JBR	DATE 12/23/09	MODEL#	QTY.