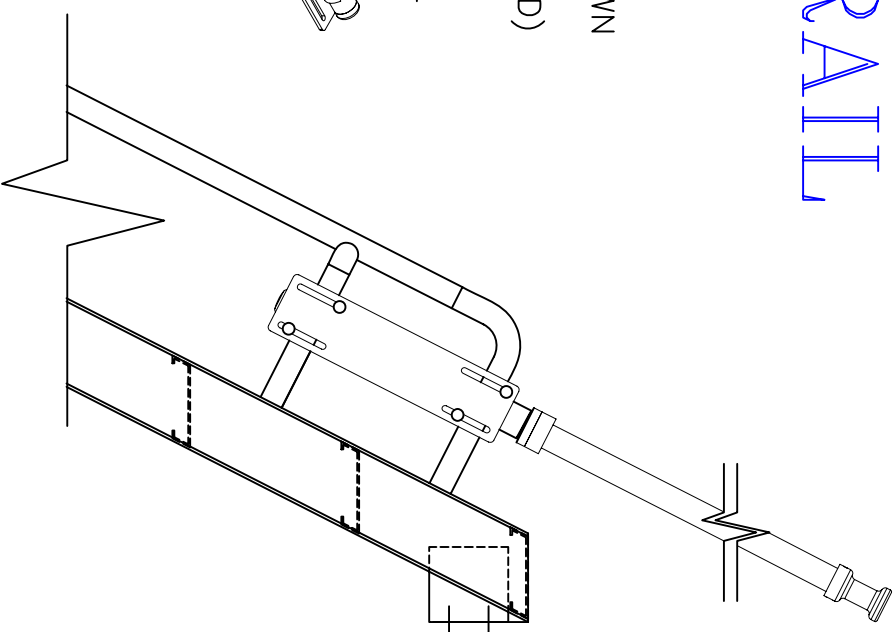
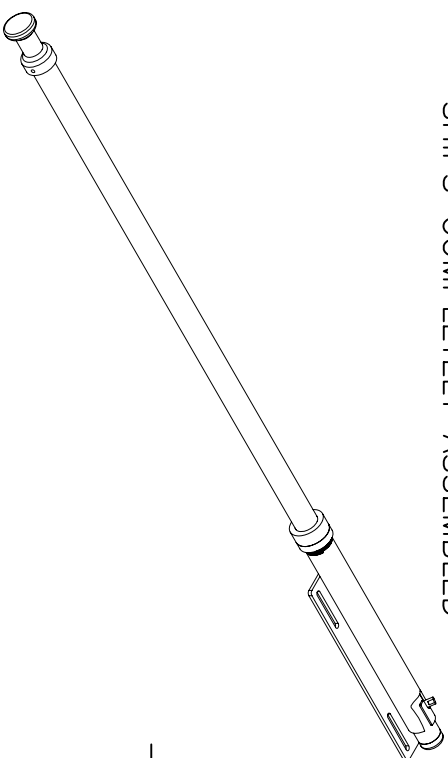
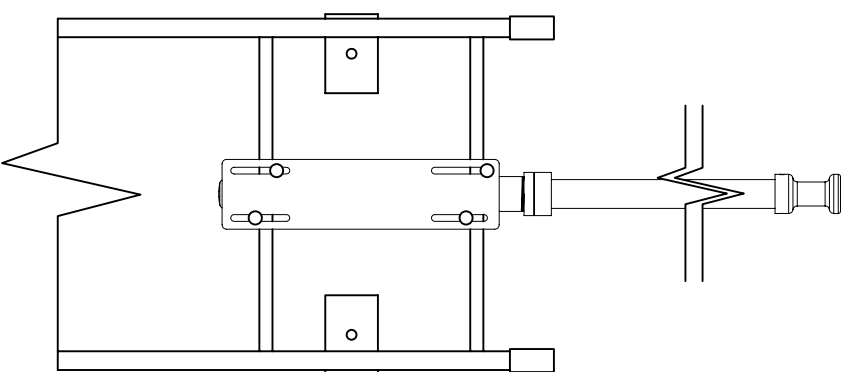


EXTEND--A--RAIL

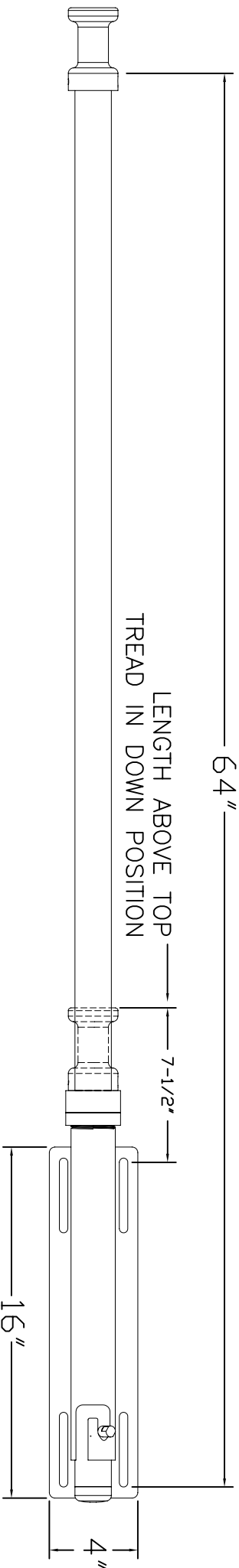
FACTORY FINISH
ALUMINUM - ANODIZED

NOTE:
PLACE BOLTS IN CONFIGURATION SHOWN
FOR REQUIRED APPLICATION.
(BOLTS, NUTS AND WASHERS INCLUDED)

MODEL: ER-1
EXTEND--A--RAIL LADDER SAFETY POST
SHIPS COMPLETELY ASSEMBLED



NOTE: RETRO-FIT SHIPS LADDER
INSTALLATIONS REQUIRE CUSTOM
BRACKET NOT SHOWN.



NOT TO SCALE

Precision Ladders, LLC
P.O. Box 2279, Morristown, TN 37816-2279
Ph: (423) 586-2265 Fax: (423) 586-2091
www.PrecisionLadders.com

DWG. CHECK	ARCH'T OR ENGR.	PROJECT	PRECISION REP
BUILT BY:	PURCHASE ORDER	WORK ORDER	PURCHASER
CHECKED BY:	DRAWN BY:	DATE	MODEL#
	JBR	11/23/09	ER-1
		QTY. 1	SERIAL#