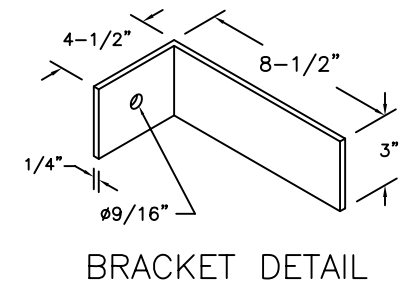
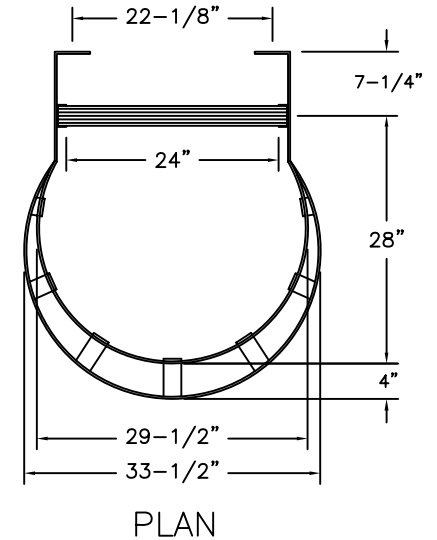
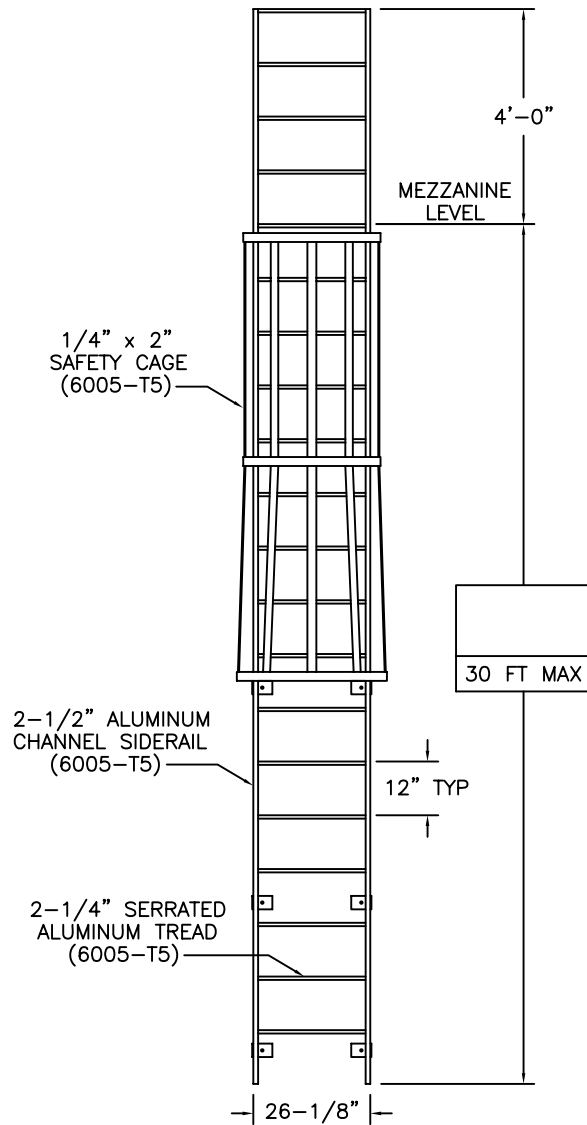
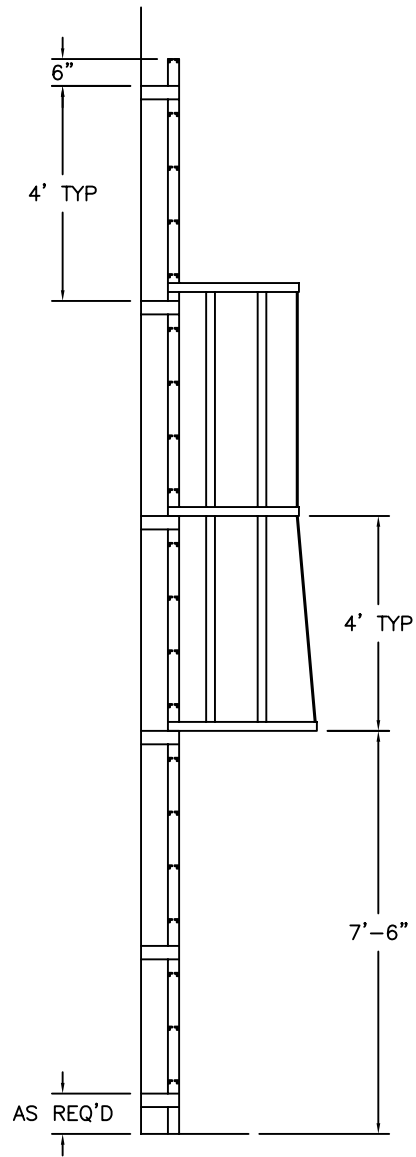


# FIXED LADDER w/CAGE & OVERSHOOT



NOTE:  
ALL BOLTS/FASTENERS  
NECESSARY TO ANCHOR  
LADDER ARE BY OTHERS.

FACTORY FINISH  
ALUMINUM-MILL FINISH

FL-13

DWG. CHECK	ARCH'T OR ENG'R.	PROJECT		PRECISION REP
BUILT BY:	PURCHASE ORDER	DATE	PURCHASER	SERIAL#
CHECKED BY:	DRAWN BY: JEB	DATE 5/3/06	MODEL# FL-	QTY.