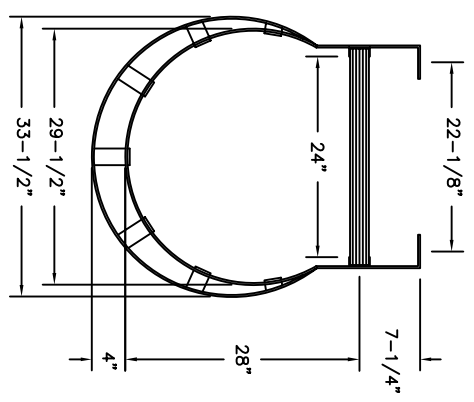
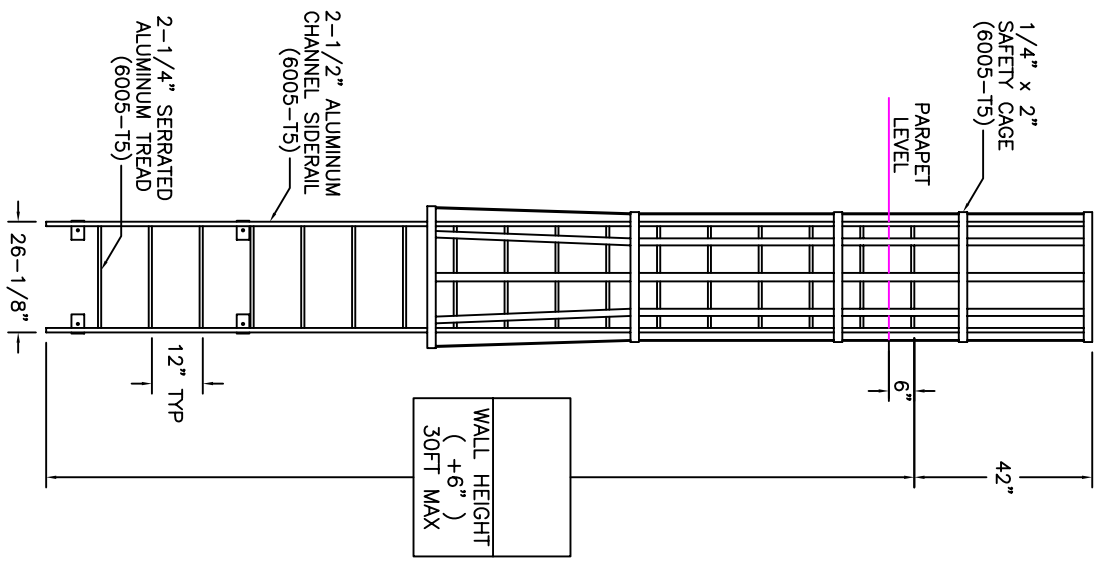
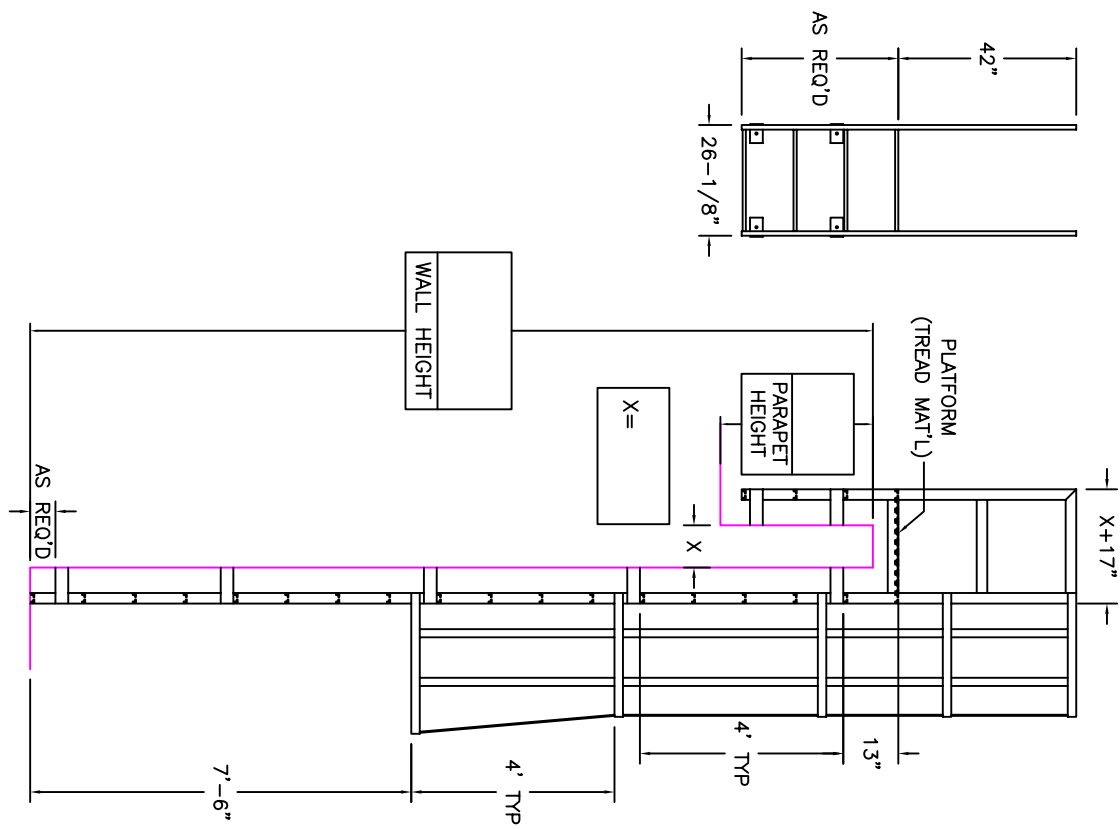
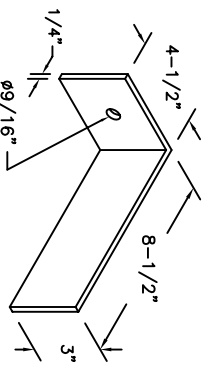


FIXED LADDER w/ CAGE, PLATFORM & ROOFSIDE RETURN



PLAN
(PARAPET PLATFORM & RETURN LADDER ARE OMITTED FOR CLARITY)



BRACKET DETAIL

NOTE:
ALL BOLTS/FASTENERS NECESSARY TO ANCHOR LADDER ARE BY OTHERS.

FACTORY FINISH
ALUMINUM-MILL FINISH

Precision Ladders, LLC
P.O. Box 2279, Morristown, TN 37816-2279
Ph: (423) 586-2265 Fax: (423) 586-2091
www.PrecisionLadders.com

DWG. CHECK	ARCHT. OR ENGR.
BUILT BY:	PURCHASE ORDER
CHECKED BY:	DRAWN BY:
	JEB

PROJECT	PURCHASER
REVISION	MODEL#
DATE 4/28/06	FL-
	QTY.

PRECISION REP	SERIAL#
	FL-12