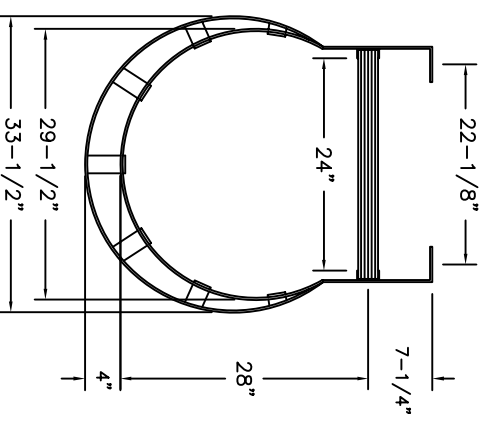
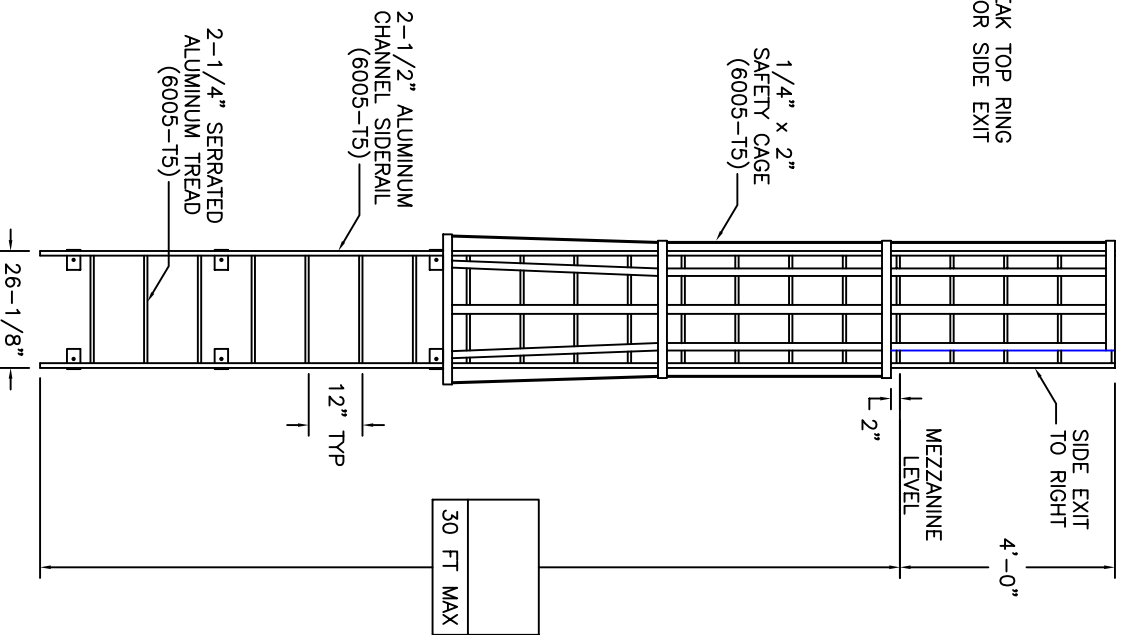
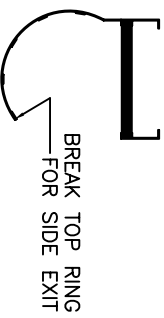
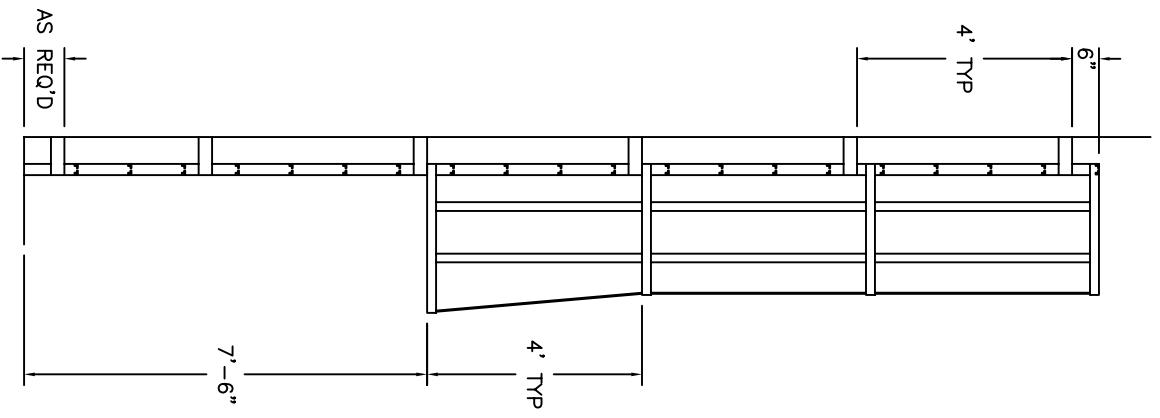
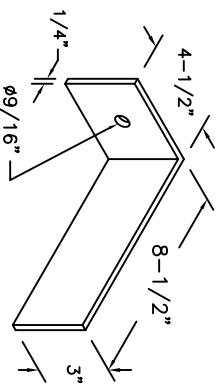


FIXED LADDER w/ CAGE & OVERSHOOT



PLAN



BRACKET DETAIL

NOTE:
ALL BOLTS/FASTENERS
NECESSARY TO ANCHOR
LADDER ARE BY OTHERS.

FACTORY FINISH
ALUMINUM-MILL FINISH

Precision Ladders, LLC
P.O. Box 2279 Morristown, TN 37816-2279
Ph: (423) 586-2265 Fax: (423) 586-2091
www.PrecisionLadders.com

DWG. CHECK		ARCHT. OR ENGR.		PROJECT		PRECISION REP	
BUILT BY:		PURCHASE ORDER		DATE	5/3/06	PURCHASER	
CHECKED BY:		DRAWN BY:	JEB	DATE	5/3/06	MODEL#	FL-
				DATE	5/3/06	QTY.	
				DATE	5/3/06	REP	FL-11