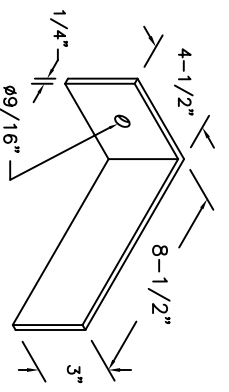
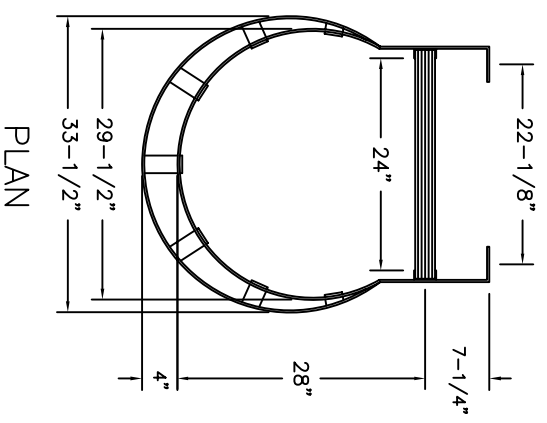
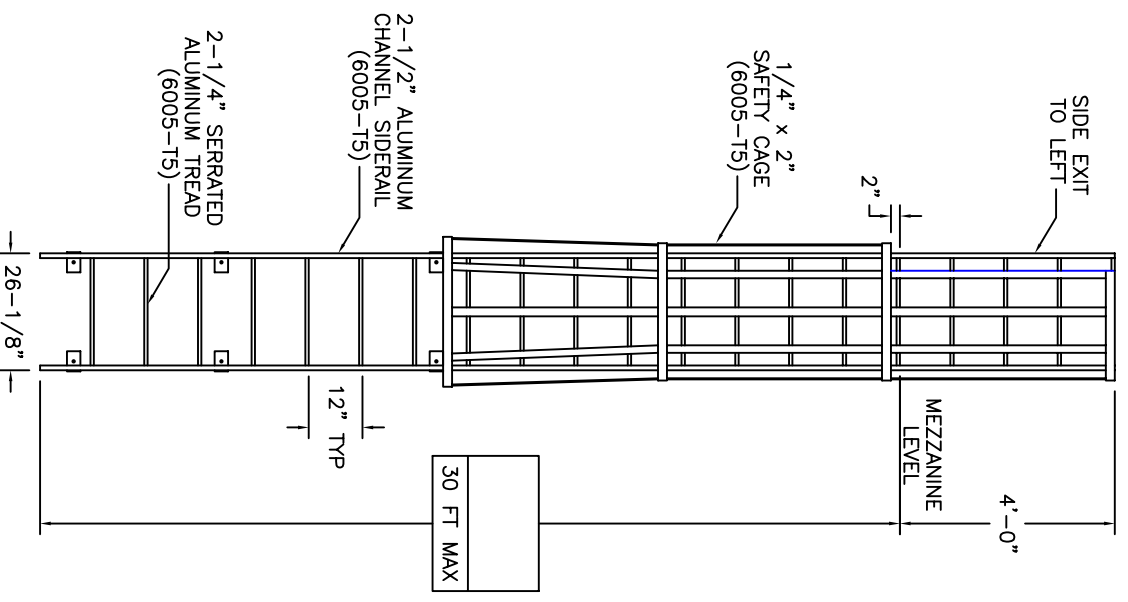
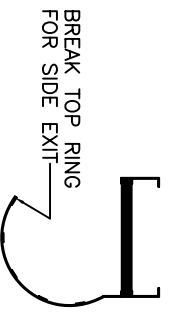
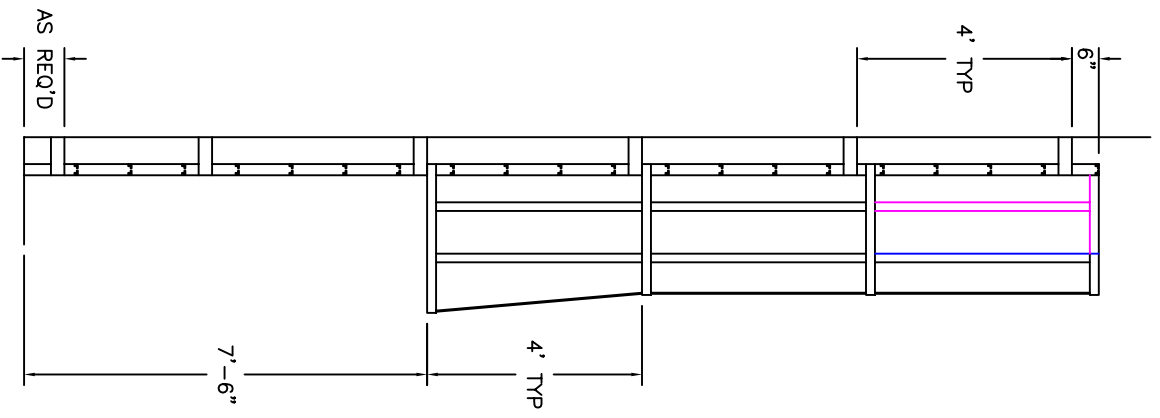


# FIXED LADDER w/ CAGE & OVERSHOOT



NOTE:  
ALL BOLTS/FASTENERS  
NECESSARY TO ANCHOR  
LADDER ARE BY OTHERS.

FACTORY FINISH  
ALUMINUM-MILL FINISH

**Precision Ladders, LLC**  
P.O. Box 2279 Morristown, TN 37816-2279  
Ph: (423) 586-2265 Fax: (423) 586-2091  
www.PrecisionLadders.com

DWG. CHECK		ARCHT. OR ENGR.		PROJECT		PRECISION REP.	
BUILT BY:	CHECKED BY:	PURCHASE ORDER	DRAWN BY:	DATE	PURCHASER	MODEL#	SERIAL#
		JEB		5/3/06	FL-		
				DATE	QTY.		

FL-10