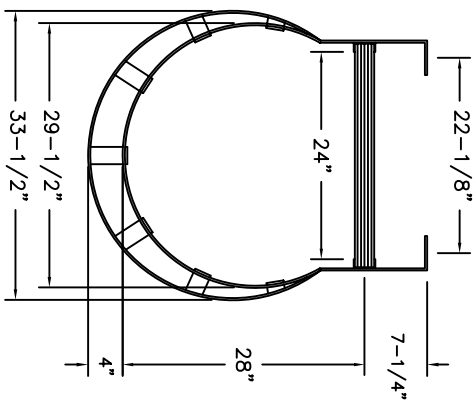
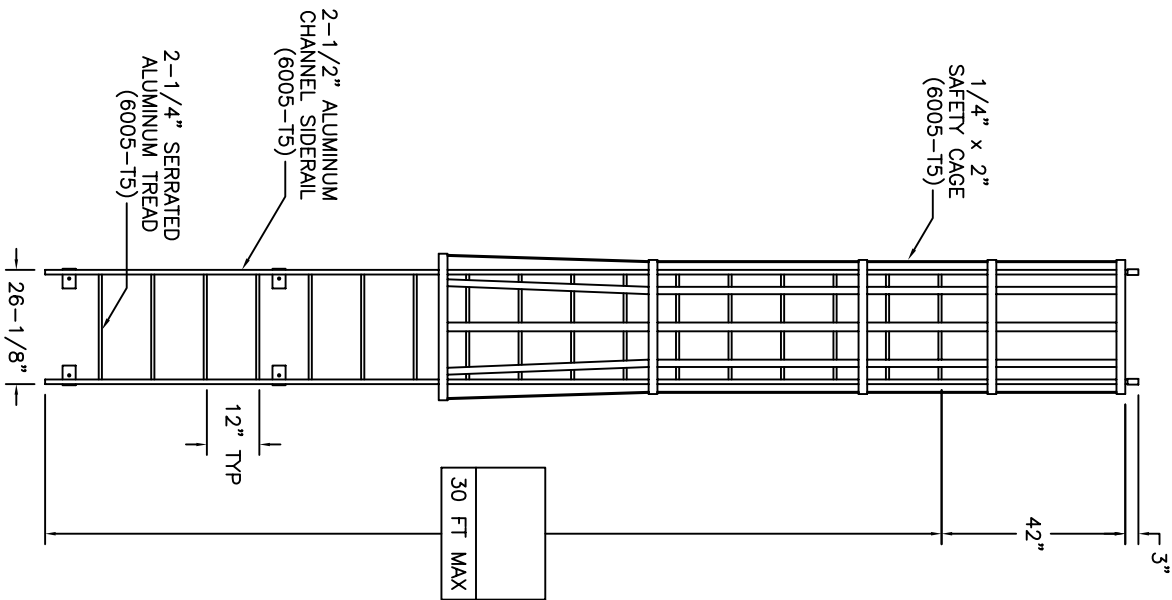
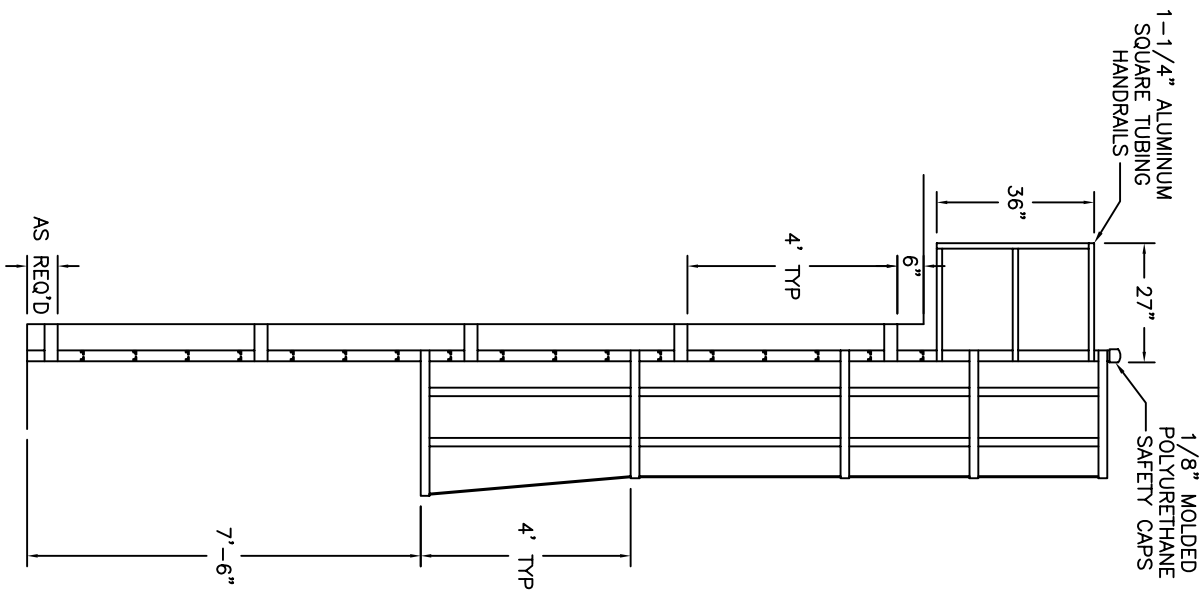
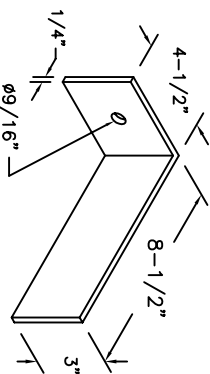


FIXED LADDER w/ CAGE & WALK-THRU



(HANDRAILS OMITTED FOR CLARITY)

PLAN



BRACKET DETAIL

NOTE:
ALL BOLTS/FASTENERS
NECESSARY TO ANCHOR
LADDER ARE BY OTHERS.

FACTORY FINISH
ALUMINUM-MILL FINISH

Precision Ladders, LLC
 P.O. Box 2279 Morristown, TN 37816-2279
 Ph: (423) 586-2265 Fax: (423) 586-2091
 www.PrecisionLadders.com

DMG. CHECK	ARCHT OR ENGR.	PROJECT	PURCHASER	PRECISION REP
BUILT BY:	PURCHASE ORDER	DATE	MODEL#	SERIAL#
CHECKED BY:	DRAWN BY:	DATE	FL-	QTY.
	JEB	4/28/06		
				FL-09