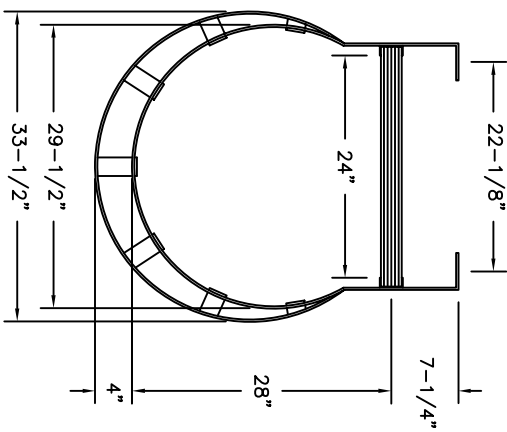
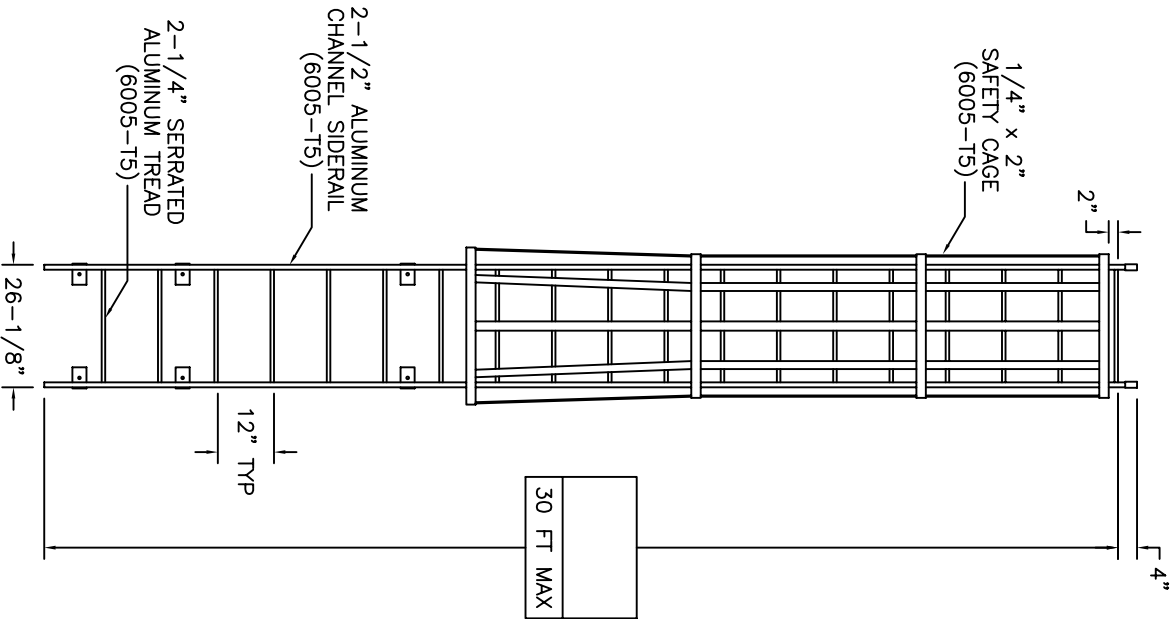
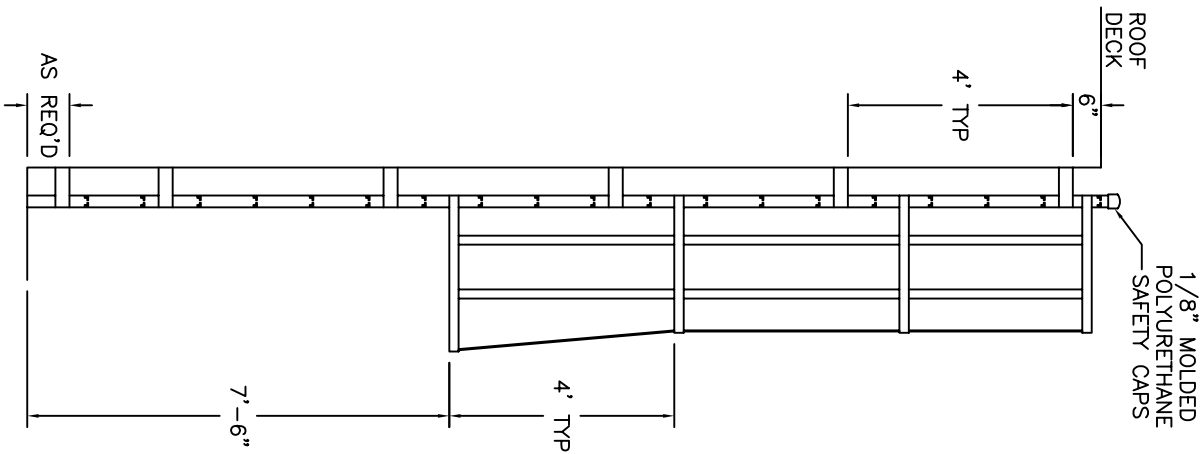
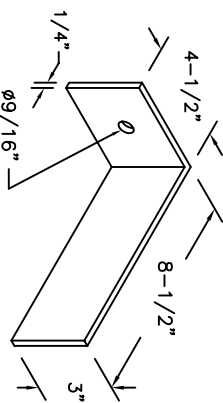


FIXED LADDER W/ CAGE TO ROOF HATCH



PLAN



BRACKET DETAIL

NOTE:
ALL BOLTS/FASTENERS
NECESSARY TO ANCHOR
LADDER ARE BY OTHERS.

FACTORY FINISH
ALUMINUM-MILL FINISH



Precision Ladders, LLC
P.O. Box 2279, Morristown, TN 37816-2279
Ph: (423) 586-2265 Fax: (423) 586-2091
www.PrecisionLadders.com

DWG. CHECK	ARCHT. OR ENGR.	PROJECT	PRECISION REP.
BUILT BY:	PURCHASE ORDER	DATE	DATE
CHECKED BY:	DRAWN BY: JEB	DATE: 4/28/06	MODEL#
		FL-	QTY.
			SERIAL#