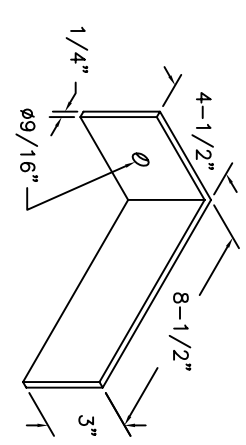
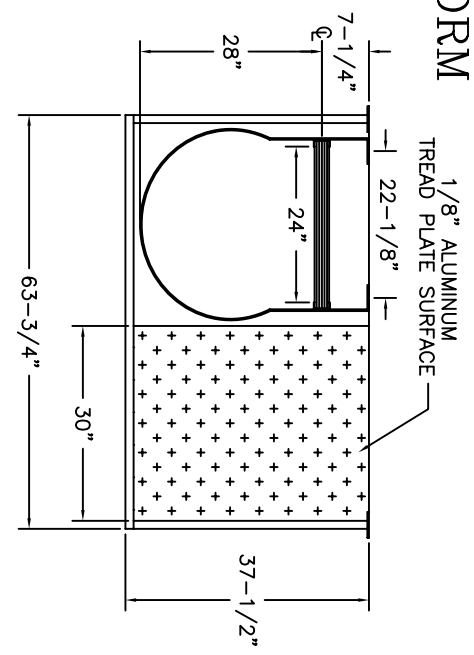
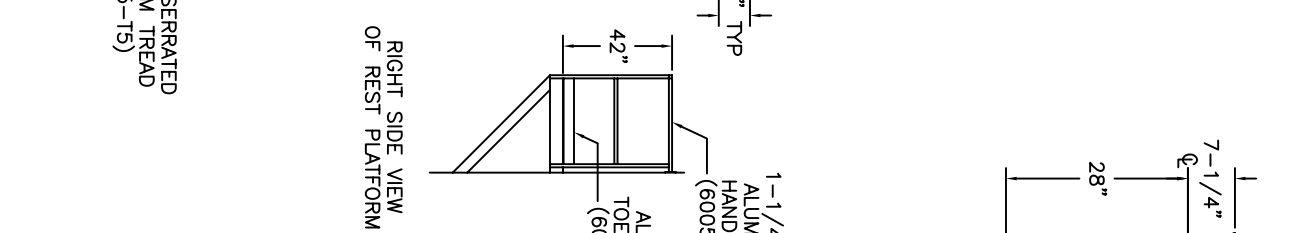
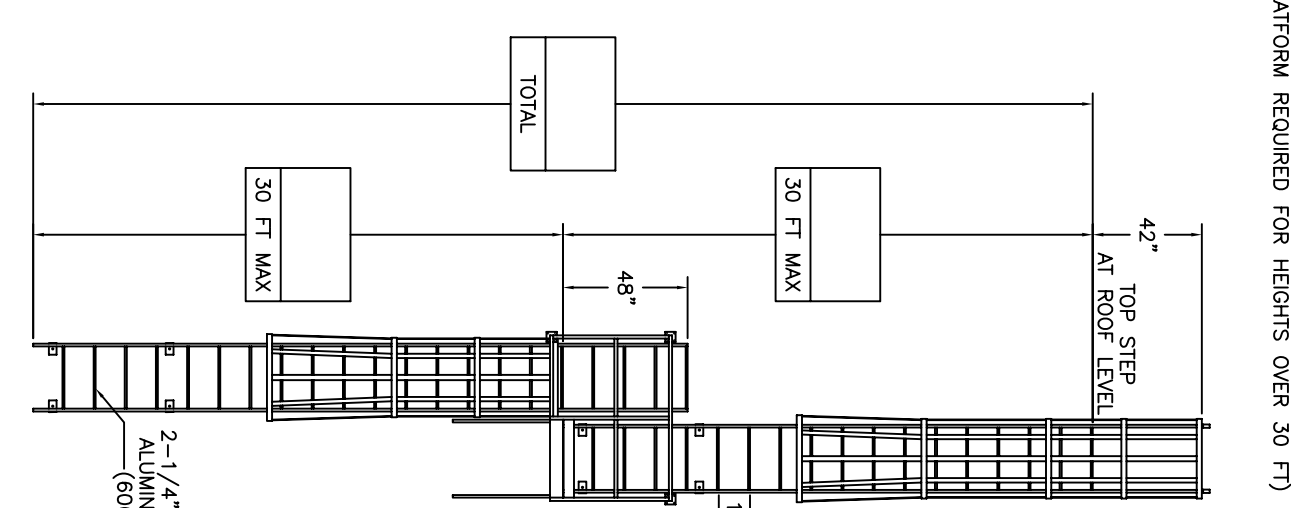
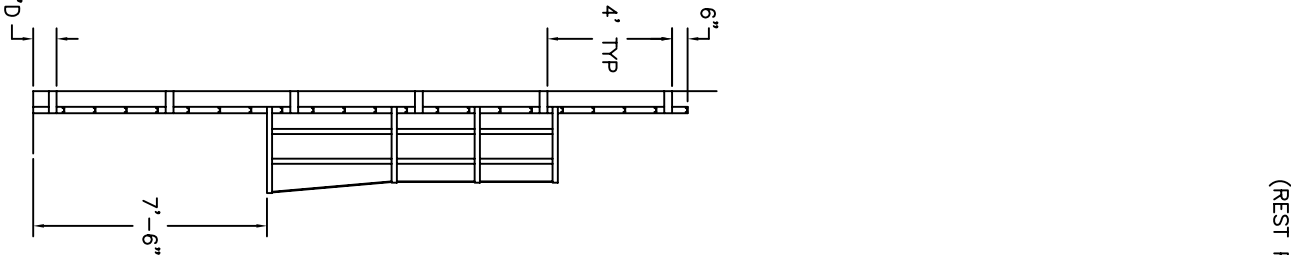
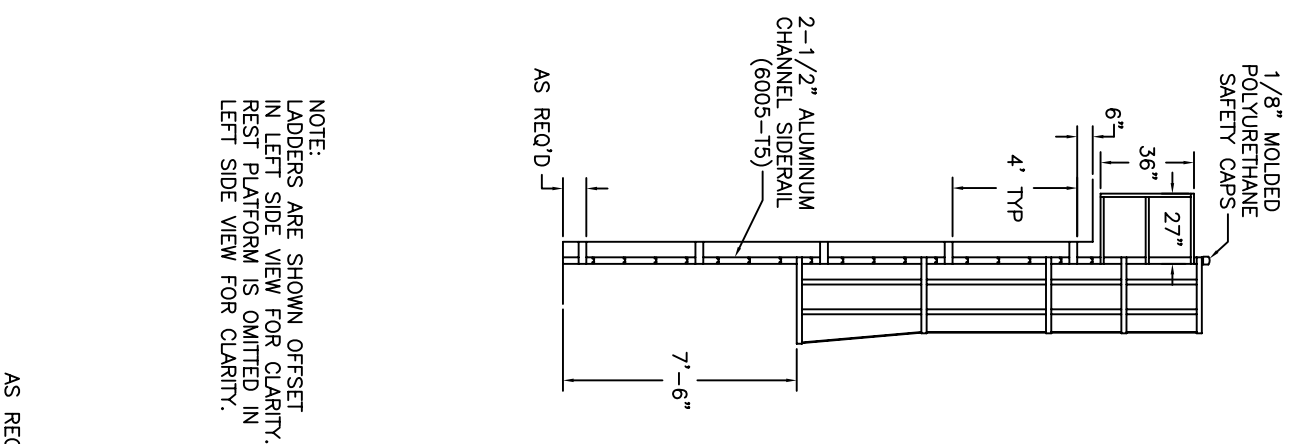


FIXED LADDER w/ CAGE & REST PLATFORM

(REST PLATFORM REQUIRED FOR HEIGHTS OVER 30 FT)



BRACKET DETAIL

NOTE:
ALL BOLTS/FASTENERS
NECESSARY TO ANCHOR
LADDERS ARE BY OTHERS.

FACTORY FINISH
ALUMINUM-MILL FINISH

Precision Ladders, LLC
P.O. Box 2279 Morristown, TN 37816-2279
Ph: (423) 586-2265 Fax: (423) 586-2091
www.PrecisionLadders.com

| | | | |
|-------------|-----------------|---------|----------------|
| DIMS. CHECK | ARCHT. OR ENGR. | PROJECT | PRECISION REP. |
| BUILT BY: | PURCHASE ORDER | DATE | SERIAL # |
| CHECKED BY: | DRAWN BY: | DATE | QTY. |
| | JEB | 4/28/06 | FL- |
| | | | FL-07 |