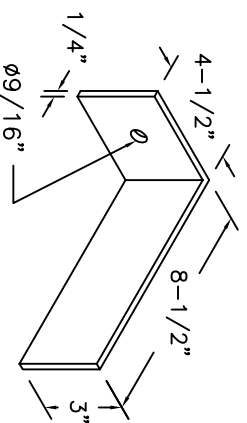
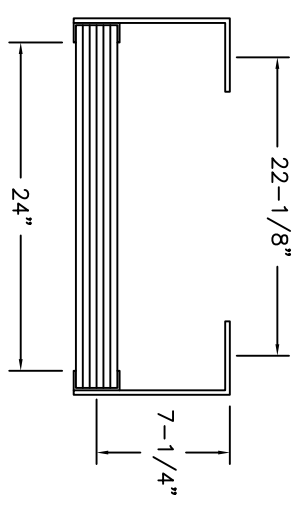
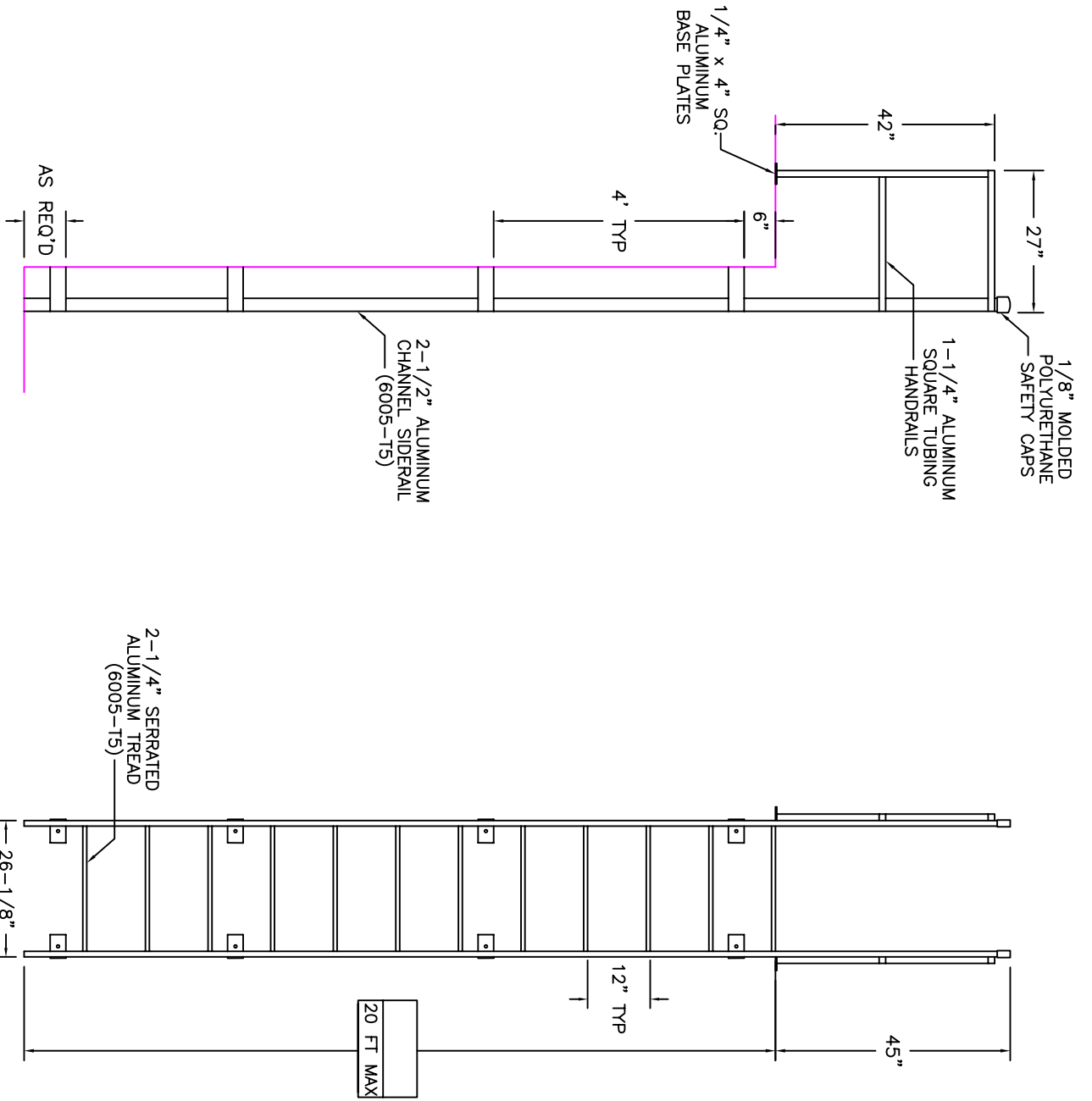


FIXED LADDER w/ WALK-THRU



NOTE:
 ALL BOLTS/FASTENERS
 NECESSARY TO ANCHOR
 LADDER ARE BY OTHERS.

**FACTORY FINISH
 ALUMINUM-MILL FINISH**

Precision Ladders, LLC
 P.O. Box 2279 Morristown, TN 37816-2279
 Ph: (423) 586-2265 Fax: (423) 586-2091
 www.PrecisionLadders.com

DWG. CHECK	ARCHT OR ENGR.	PROJECT	PRECISION REP
BUILT BY:	PURCHASE ORDER	WORK ORDER	SERIAL#
CHECKED BY:	DRAWN BY: JBR	DATE: 2/22/07	MODEL#
			FL-
			QTY.

FL-05