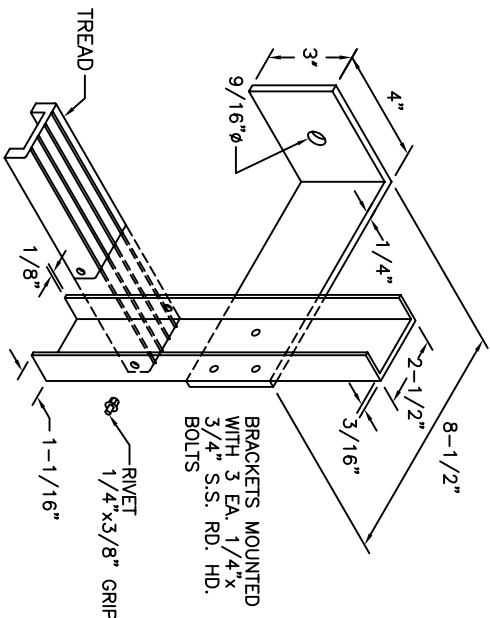


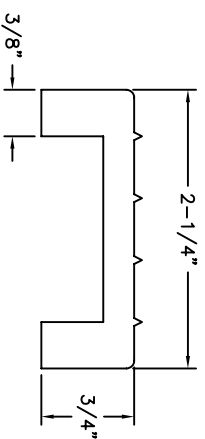
# WALL LADDER DETAILS

(APPLICABLE IF MARKED)

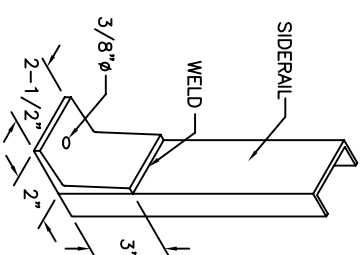
SIDERAIL DETAIL



TREAD DETAIL



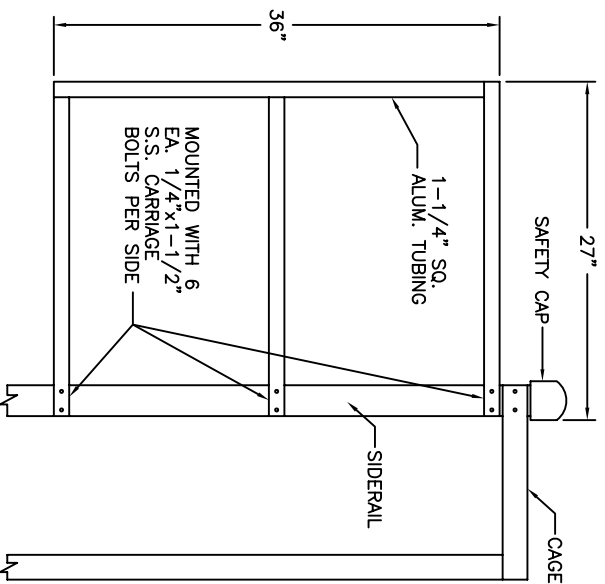
FLOOR BRACKET



1000# LOAD RATING

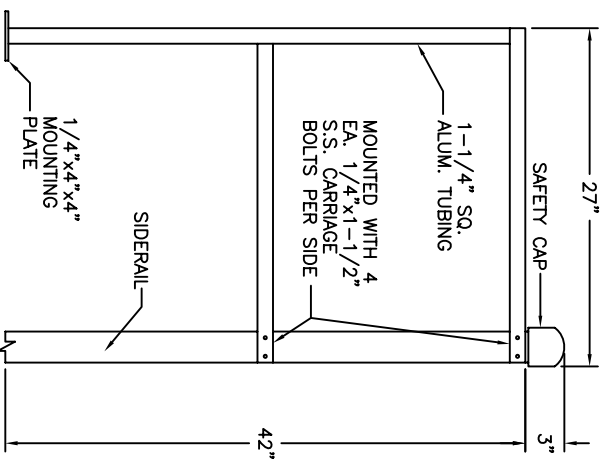
## HANDRAILS

(FIXED VERTICAL LADDER w/CAGE)



## HANDRAILS

(FIXED VERTICAL LADDER w/WALK-THRU)



## CAGE ATTACHMENT

