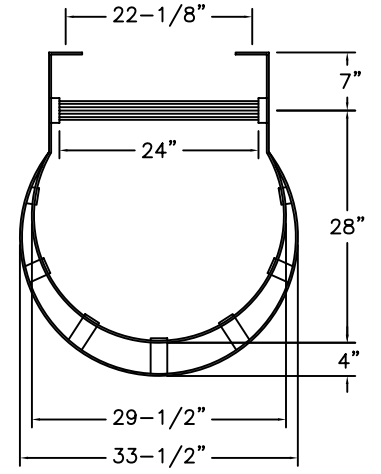
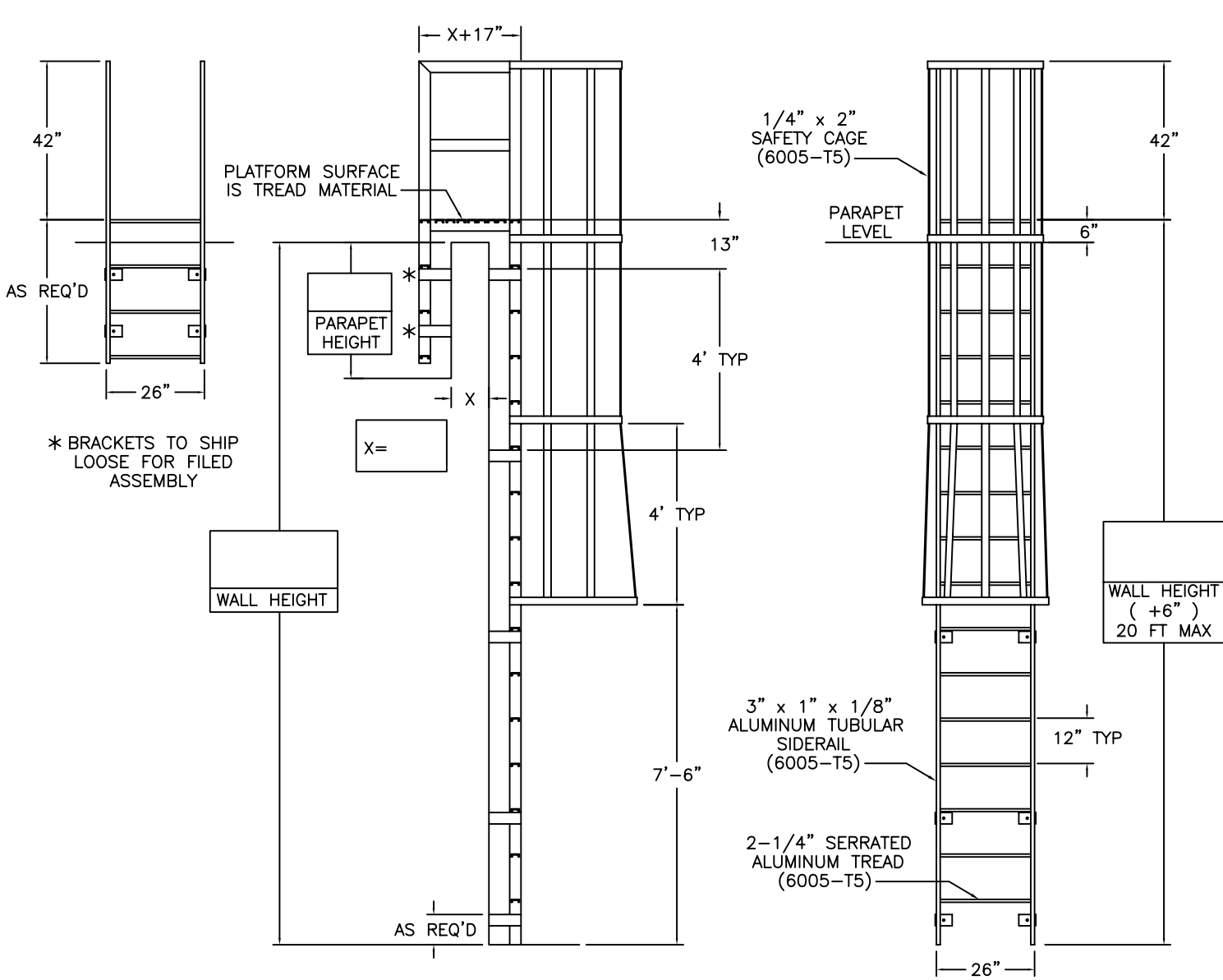
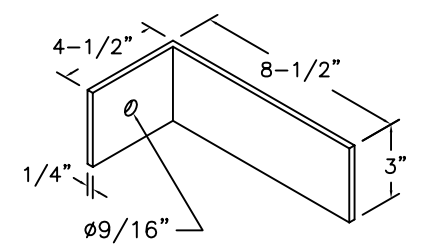


TUBULAR FIXED LADDER w/CAGE, PLATFORM & ROOFSIDE RETURN



PLAN
 (PARAPET PLATFORM & RETURN LADDER ARE OMITTED FOR CLARITY)



BRACKET DETAIL

NOTE:
 ALL BOLTS/FASTENERS
 NECESSARY TO ANCHOR
 LADDER ARE BY OTHERS.

FACTORY FINISH
ALUMINUM-MILL FINISH

FLH-09

Precision Ladders, LLC
 P.O. Box 2279 Morristown, TN 37816-2279
 Ph: (423) 586-2265 Fax: (423) 586-2091
www.PrecisionLadders.com

DWG. CHECK	ARCH'T OR ENG'R.	PROJECT		PRECISION REP
BUILT BY:	PURCHASE ORDER	REVISION	PURCHASER	SERIAL#
CHECKED BY:	DRAWN BY: JEB	DATE 5/11/06	MODEL#	QTY.
			FLH-	