

# Fire-Rated Ceiling Access Door with Integral Folding Stairway

Fire-Rated Ceiling  
Access Door with  
Integral Folding Stair

Now Available For Ceilings Up To 13'6"



see us at  
**Sweets**.com

Meets A.N.S.I. A14.9-2004

Precision Ladders, LLC • P.O. Box 2279 • Morristown, TN 37816  
Phone: (800) 225-7814 or (423) 586-2265 • Fax: (423) 586-2091  
email: stairwaysales@precisionladders.com • www.precisionladders.com

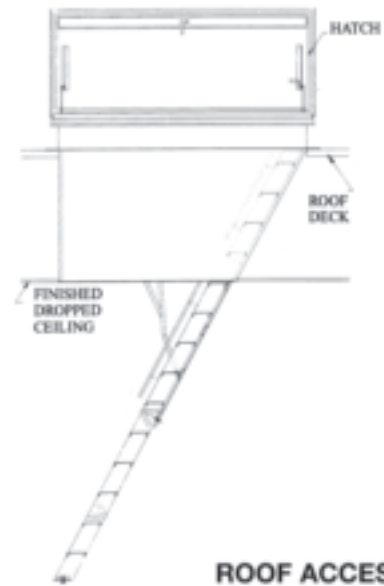
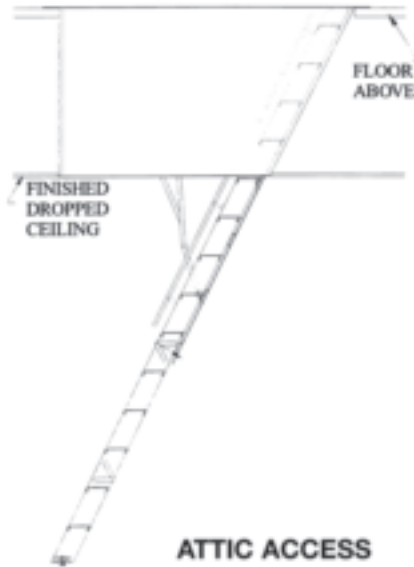
Precision Ladders, LLC



**Fire-Rated Ceiling  
Access Door with  
Integral Folding Stair**

**Precision Ladders, LLC**

**Fire-Rated Ceiling Access With A Folding Stairway**



Precision offers customized construction for any job. Compare these features to the competition:

- Meets requirements of A.N.S.I. A14.9-2004 for "Commercial or "Residential" use
- Test Weight of 500 lbs
- Individual tread test weights of 1000 lbs
- Actual shear of rivets tested to 1175 lbs
- Steel frame
- Extruded aluminum treads & siderails
- 5 3/16" x 19 1/2" clear tread area

- Lock on door panel
- 2 hour fire-rated Warnock Hersey label that meets ASTM E-119 & UBC 43-7 requirements, passed 250° temperature rise in the first 30 minutes.

**OPTIONS**

- Special deep frame to accommodate dropped ceilings
- Factory Mounted Hatch for roof access
- Precision Fold-Assist to facilitate folding/unfolding of stairway. (STD on units 9'-10" and taller.)

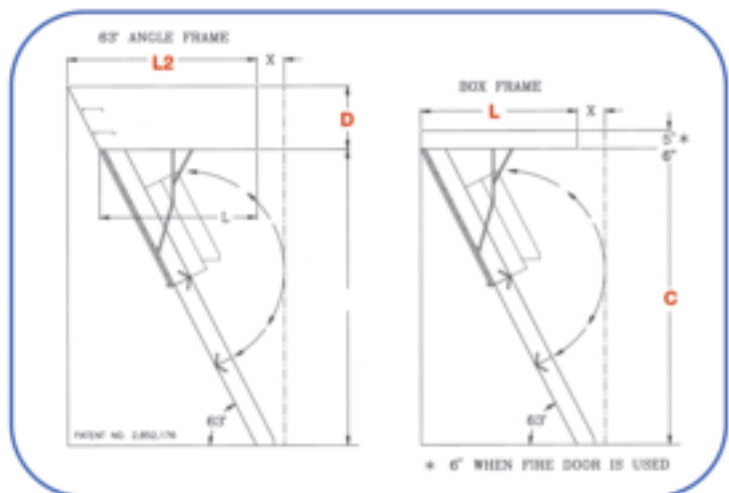
Use the drawings at right with the charts below to find the dimensions for stairway.

**Required Information:**

1. Floor to ceiling height ("C")
2. Distance from finished ceiling to floor above ("D")

If "D" is less than 13", the std box frame will work fine, only Chart 1 is needed.

If "D" is 13" or more, Chart 2 is needed to determine the opening size at the floor above.



**MODEL NUMBER = SS/AL-"C"**  
where "C" is exact ceiling height.

**For additional "D's" on Chart 2, please call the factory.**

**CHART 1**

C (CEILING HEIGHT)	X (CLEARANCE)	L	Rough Opening in ceiling	Rough Opening in floor above*
7' 1" to 8' 0"	13"	53 1/4"	30" x 54"	30" x L2 + 3/4"
8' 1" to 8' 9"	14 1/2"	53 1/4"	30" x 54"	30" x L2 + 3/4"
8' 10" to 9' 9"	22"	53 1/4"	30" x 54"	30" x L2 + 3/4"
9' 10" to 10' 11"	18"	63 1/4"	30" x 64"	30" x L2 + 3/4"
11' 0" to 12' 0"	26"	63 1/4"	30" x 64"	30" x L2 + 3/4"
12' 1" to 13' 6"	26"	71 1/4"	22 1/2" x 72"	22 1/2" x L2 + 3/4"

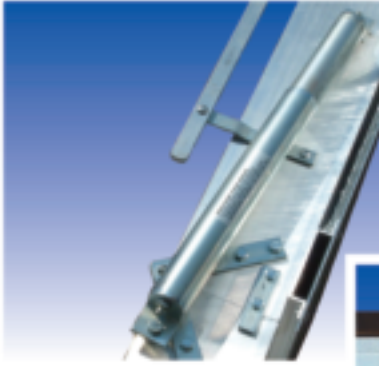
**CHART 2**

D	L2	D	L2
13"	L + 6 5/8"	31"	L + 16 13/16"
14"	L + 7 1/8"	32"	L + 16 5/16"
15"	L + 7 5/8"	33"	L + 16 13/16"
16"	L + 8 1/8"	34"	L + 17 5/16"
17"	L + 8 11/16"	35"	L + 17 13/16"
18"	L + 9 3/16"	36"	L + 18 5/16"
19"	L + 9 11/16"	37"	L + 18 7/8"
20"	L + 10 3/16"	38"	L + 19 3/8"
21"	L + 10 11/16"	39"	L + 19 7/8"
22"	L + 11 3/16"	40"	L + 20 3/8"
23"	L + 11 3/4"	41"	L + 20 7/8"
24"	L + 12 1/4"	42"	L + 21 3/8"
25"	L + 12 3/4"	43"	L + 21 15/16"
26"	L + 13 1/4"	44"	L + 22 7/16"
27"	L + 13 3/4"	45"	L + 22 15/16"
28"	L + 14 1/4"	46"	L + 23 7/16"
29"	L + 14 3/4"	47"	L + 23 15/16"
30"	L + 15 5/16"	48"	L + 24 7/16"

\* If std box frame is used, this dimension is the same as the ceiling opening. If 63° angle frame is used, see chart at right to determine "L2"



## Product Details



Precision Fold-Assist



Heavy Duty Tread



Adjustable Foot



Cable and Spring

## Other Products Available From Precision



Automatic Electric Disappearing Ladders



Safety Guard-Rail  
for Floor Openings



Roof Hatches



Fixed Aluminum Wall Ladders

**Fire-Rated Ceiling  
Access Door with  
Integral Folding Stair**

**Precision Ladders, LLC**





## Specifications

### SECTION 08 31 13

#### Fire-Rated Ceiling Access Door With Integral Folding Stairway

##### PART 1: GENERAL

###### 1.01 SUMMARY

- A. 2 hour fire-rated ceiling access system including access panel and attached disappearing stairway. Assembly shall meet ASTM E-119 and UBC 43-7 requirements and carry a 2 hour Warnock Hersey label.
- B. Products required, but not supplied under this section.
1. Required fasteners.

###### 1.02 SYSTEM DESCRIPTION

The system requires a ceiling opening per the following: Ceiling heights up to 9'9" - 30"x54" Ceiling heights 9'10"-12'0" - 30"x64" Ceiling heights 12'1" - 13'6" - 22 1/2 x 72".

###### 1.03 DELIVERY, STORAGE, AND HANDLING

- A. Examine stairway when it arrives on site. Notify the carrier and manufacturer of any damage.
- B. Store stairway until installation under roof, if possible; or, if stored outside, under a tarp or suitable cover.

###### 1.04 WARRANTY

The stairway carries a limited warranty of one (1) year against defective material and workmanship, covering parts only, no labor or freight. Defective parts, if deemed so by the manufacturer, will be replaced at no charge, freight excluded, upon inspection at Precision which warrants same.

###### 1.05 MAINTENANCE

- A. Under normal usage, the stairway shall require no preventive maintenance.
- B. No spare parts shall be required.

##### PART 2: PRODUCTS

###### 2.01 MANUFACTURER

Precision Ladders, LLC  
P.O. Box 2279  
Morristown, TN 37816  
Phone: (800) 225-7814  
Fax: (423) 586-2091

###### 2.02 MATERIALS

###### A. DOOR

20 gauge steel door attached to frame with continuous steel piano hinge and is flush with the bottom of the frame when in the closed position.

###### B. STAIRWAY

1. Stringers
  - 1.1 6005-T5 Extruded alum channel 5" x 1" x 1/8"
  - 1.2 Tri-fold design
  - 1.3 Steel blade-type hinges
  - 1.4 Adjustable foot with plastic Mar-guard
  - 1.5 Pitch 63°
2. Treads
  - 2.1 6005-T5 extruded alum channel 5 3/16" x 1 1/4" x 1/8".
  - 2.2 Length 21 1/4" is standard for ceilings 12'0" & less. Ceiling 12'1" and up, treads are 13 3/4".

- 2.3 Deeply serrated top surface.
- 2.4 9 1/2" riser height (std)  
Other riser heights available.
- 2.5 500 lbs load rating on units 12' and less. 300 lbs load rating on units 12'1" and above.

###### C. FRAME

- 1/8" Steel, formed channel, 6" deep 90° both ends.
- or**
- **if ceiling to floor above > 12":**  
Custom 63° angle frame, 1/8" steel, 63° on hinge end, 90° on other end, custom depth to fill distance from ceiling to floor above.

###### D. HARDWARE

1. Steel blade-type hinge connecting stringer sections, cadmium plated & chromate sealed, bolted to stringers.
2. Steel operating arms, cadmium plated & chromate sealed.
3. Double acting steel springs and V-hooks.
4. Rivets rated at 1175# shear.

###### E. SAFETY

1. Steel bar handrail riveted to stringers, upper section, both sides.
2. Steel section alignment clips at stringer section joints.

###### F. MANUFACTURED UNITS

The Disappearing Stairway is a Model SS/AL--+. (+ = ceiling height in inches - maximum is 162").

###### G. ACCESSORIES

1. Steel pole to aid opening and closing stairways. The pole is equipped with a hook on one end and bicycle grip on the other.
2. Keyed lock for door.

###### H. FABRICATION

The stairway is completely fabricated ready for installation before shipment to the site.

###### I. FINISHES

1. Mill finish on aluminum stairway components.
2. Prime coat on frame.

##### PART 3: EXECUTION

###### 3.01 EXAMINATION

Examine rough opening in ceiling for opening size and squareness.

###### 3.02 INSTALLATION

Install per the manufacturer's installation instructions.

###### 3.03 FIELD QUALITY CONTROL

The manufacturer has representatives in all areas of the United States and Canada. For the name of the closest representative, call (800)225-7814.